
**CLOSED**

 WILD CHERRY  
SHOWN

**OPEN**

EXT284706B2NONNNNN

WWW.PROXIMITYSYSTEMS.COM      TEL: 800-437-8111

**SPECIFICATIONS**

\*ASSUMES VESA HOLE PATTERN IS CENTERED ON MONITOR

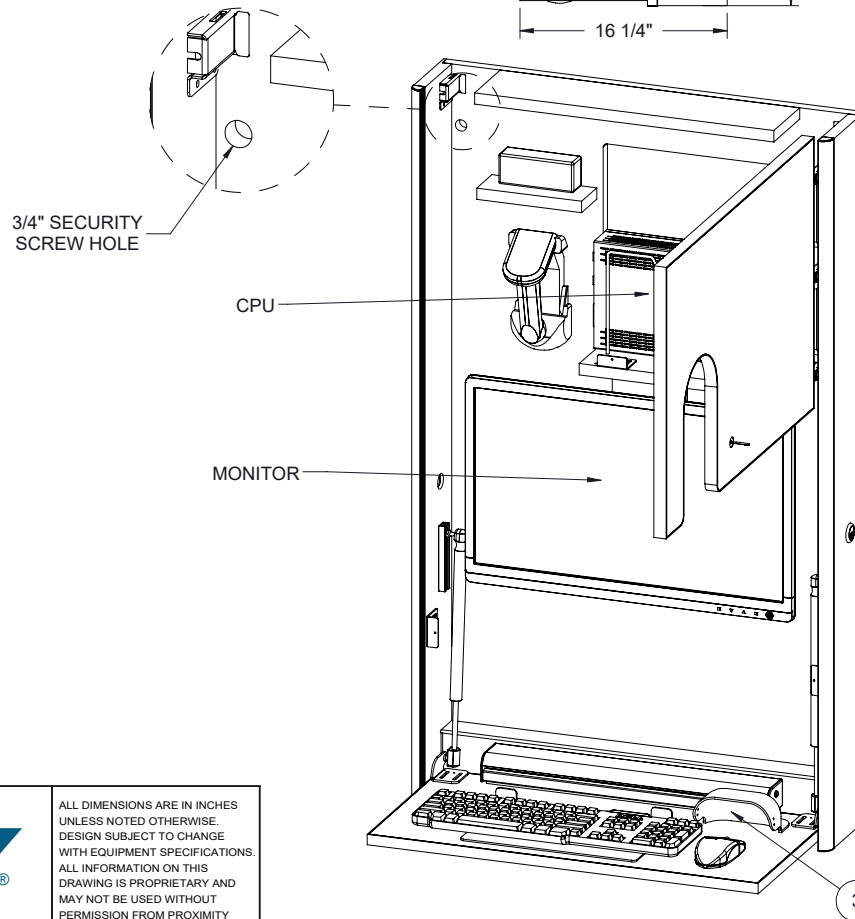
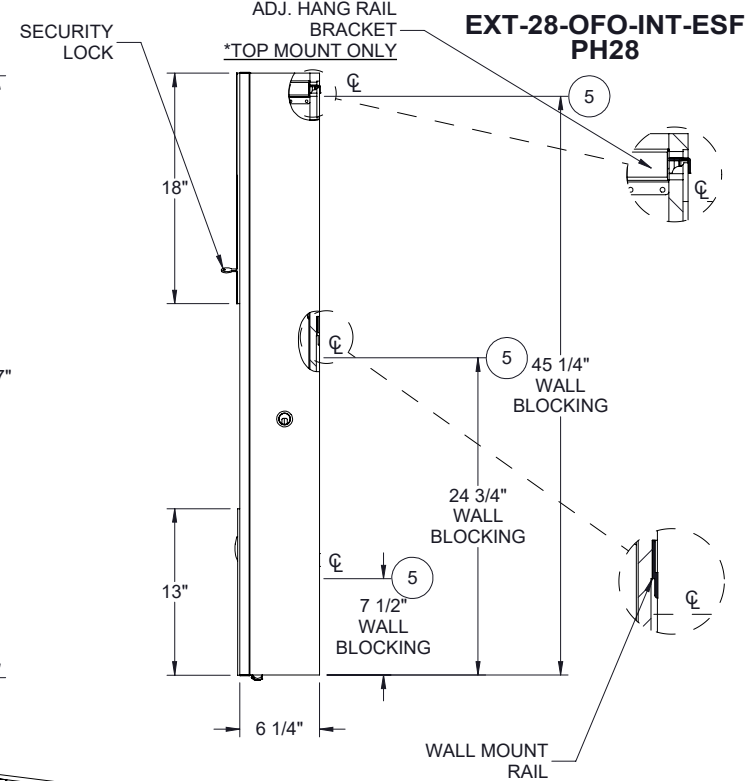
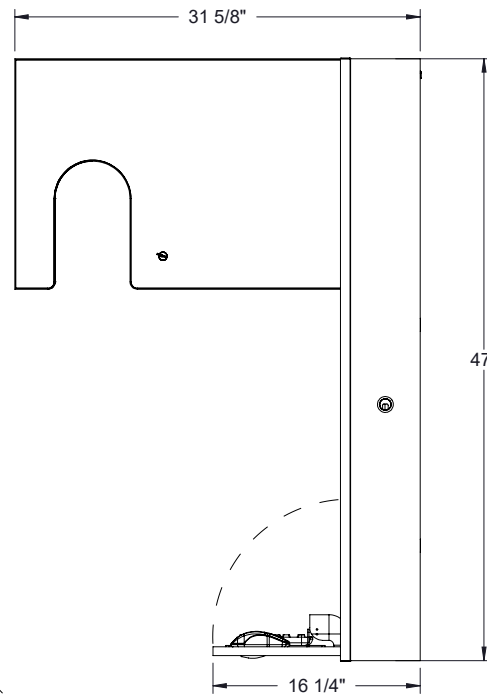
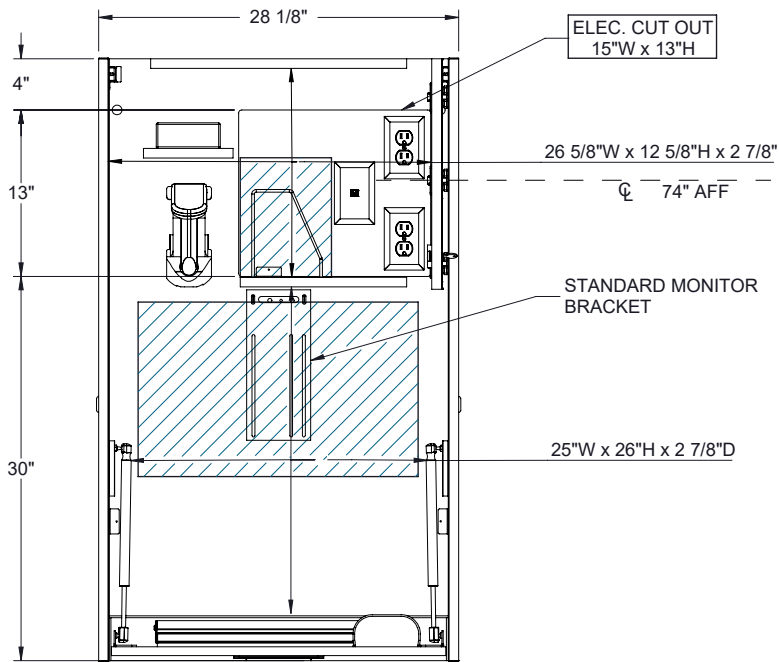
EQUIPMENT	MAX SIZE DIMENSIONS
CPU	10"W x 15"H x 2"D
*MONITOR	24"W x 15 1/2"H x 2 1/2"D
KEYBOARD / MOUSE AREA	26"W x 11"D

ALL DIMENSIONS ARE IN INCHES UNLESS NOTED OTHERWISE. DESIGN SUBJECT TO CHANGE WITH EQUIPMENT SPECIFICATIONS. ALL INFORMATION ON THIS DRAWING IS PROPRIETARY AND MAY NOT BE USED WITHOUT PERMISSION FROM PROXIMITY SYSTEMS, INC. © 2022.

**INCLUDED**

1. MONITOR SPACER
2. CPU POWER BRICK SUPPORT
3. N/A

REV: B    DRW BY: ZG    REV BY: ZG    REV DATE: JAN-1-2022    SHEET 1 OF 2



AVAILABLE ACCESSORIES	
ITEM NO.	COMPONENTS (*NOT ALL ACCESSORIES SHOWN)
1	*EXTERNAL MOUNTING BRACKET
2	*LED LIGHT
3	MOUSE CATCHER
4	*TILT MONITOR BRACKET
5	WALL MOUNT RAIL SYSTEM
6	*INTERMEDIATE ACCESSORY KIT EM
R: B	SHEET 2 OF 2

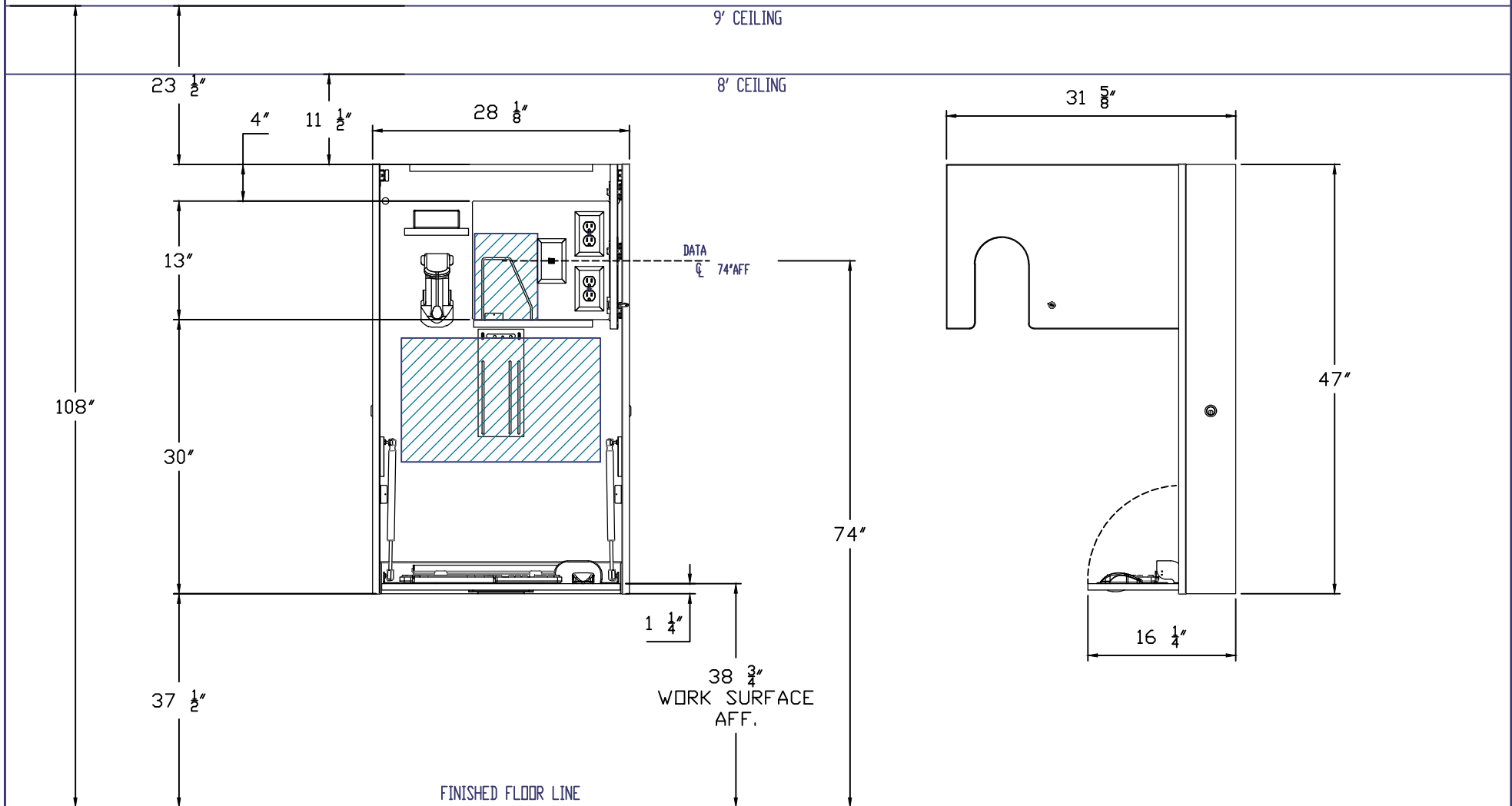


SCAN ME

EXT284706B2NONNNNN

**PROXIMITY**

ALL DIMENSIONS ARE IN INCHES UNLESS NOTED OTHERWISE. DESIGN SUBJECT TO CHANGE WITH EQUIPMENT SPECIFICATIONS. ALL INFORMATION ON THIS DRAWING IS PROPRIETARY AND MAY NOT BE USED WITHOUT PERMISSION FROM PROXIMITY SYSTEMS, INC. © 2022.



EXT284706B2NDNNNN

**PROXIMITY**

ALL DIMENSIONS ARE IN INCHES  
UNLESS NOTED OTHERWISE.  
DESIGN SUBJECT TO CHANGE  
WITH EQUIPMENT SPECIFICATIONS.  
ALL INFORMATION ON THIS  
DRAWING IS PROPRIETARY AND  
MAY NOT BE USED WITHOUT  
PERMISSION FROM PROXIMITY  
SYSTEMS, INC. ©2015

\*SITE BASED DECISION\*  
EXAMPLE ILLUSTRATED  
ABOVE

WWW.PROXIMITYSYSTEMS.COM

TEL: 800-437-8111

