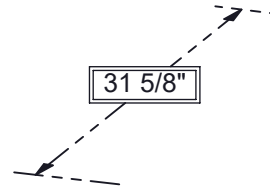




CLOSED



31 5/8"

ELECTRICAL & DATA
69" \varnothing AFF.
REFERENCE PAGE 3
FOR EXACT LOCATION



OPEN



40 3/4"

25 5/8"

28 1/8"

6 1/4"

WILD CHERRY
SHOWN

EXT284106B2NNNNNNN

SPECIFICATIONS

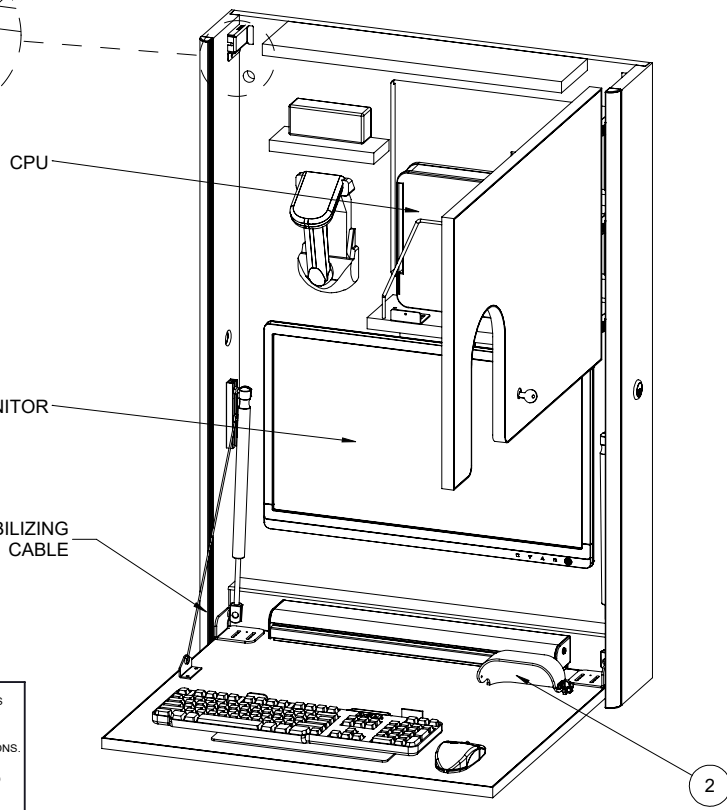
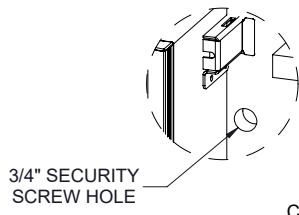
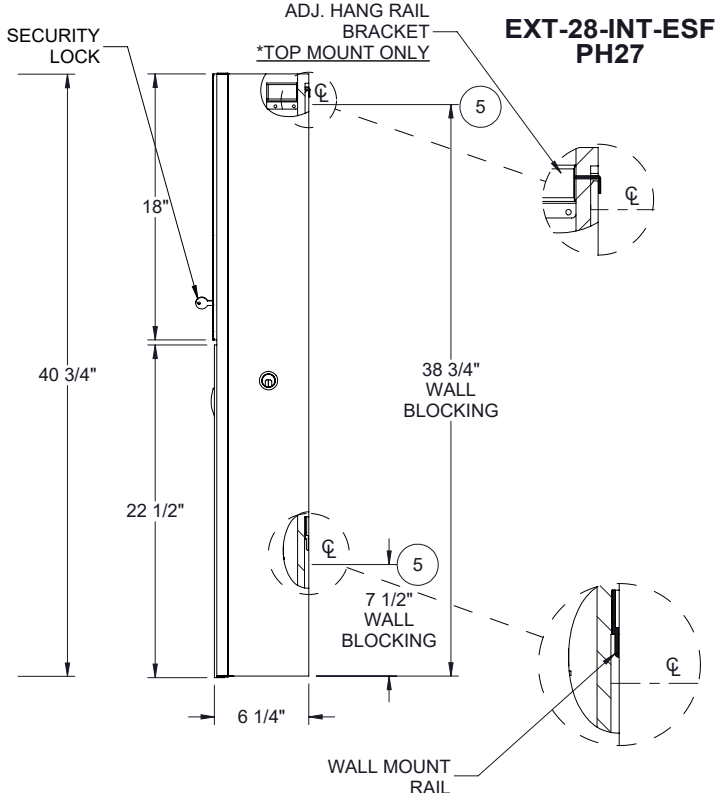
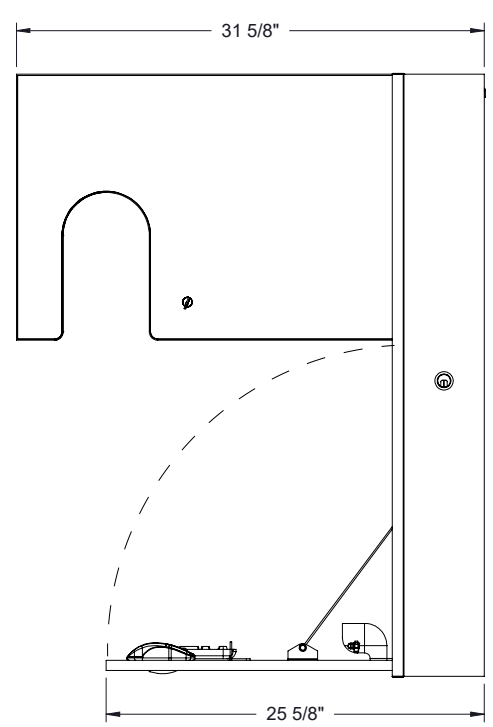
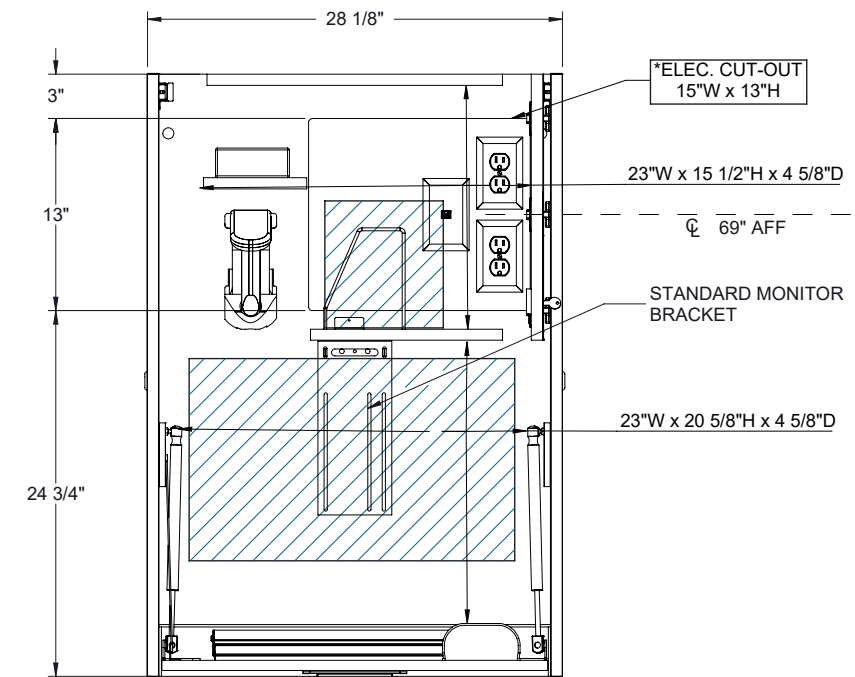
*ASSUMES VESA HOLE PATTERN IS CENTERED ON MONITOR

EQUIPMENT	MAX SIZE DIMENSIONS
CPU	10"W x 15"H x 2"D
*MONITOR	22"W x 15"H x 2 1/2"D
KEYBOARD / MOUSE AREA	26"W x 20"D

ALL DIMENSIONS ARE IN INCHES UNLESS NOTED OTHERWISE. DESIGN SUBJECT TO CHANGE WITH EQUIPMENT SPECIFICATIONS. ALL INFORMATION ON THIS DRAWING IS PROPRIETARY AND MAY NOT BE USED WITHOUT PERMISSION FROM PROXIMITY SYSTEMS, INC. © 2022.

INCLUDED

1. CPU POWER BRICK SUPPORT
2. N/A
3. N/A



AVAILABLE ACCESSORIES	
ITEM NO.	COMPONENTS (*NOT ALL ACCESSORIES SHOWN)
1	*EXTERNAL MOUNTING BRACKET
2	MOUSE CATCHER
3	*LED LIGHT
4	*UVC - SURFACE MOUNT
5	WALL MOUNT RAIL SYSTEM
6	*INTERMEDIATE ACCESSORY KIT EM
R: B	

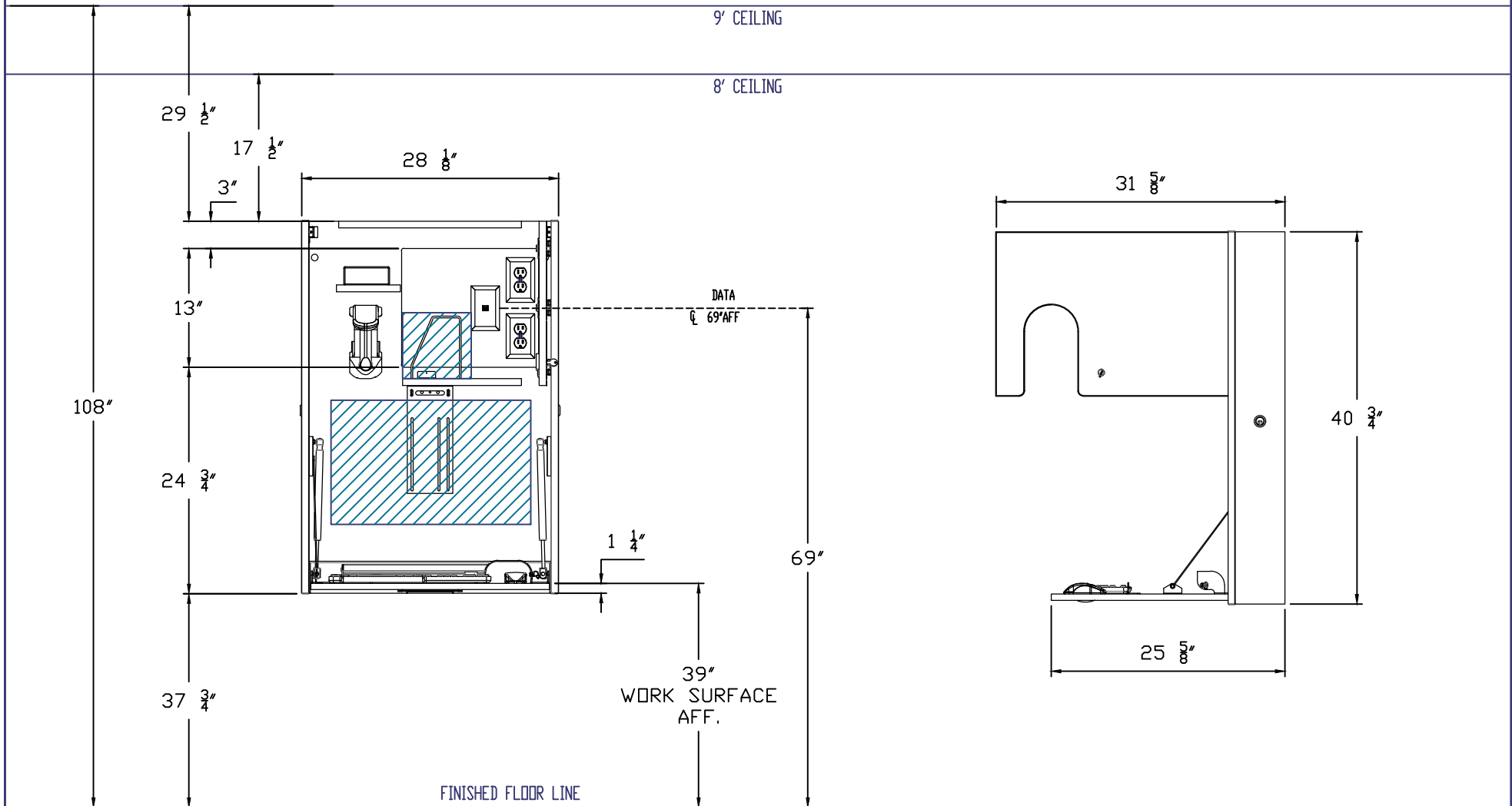


EXT284106B2NNNNNNN

PROXIMITY

WWW.PROXIMITYSYSTEMS.COM TEL: 800-437-8111

ALL DIMENSIONS ARE IN INCHES
UNLESS NOTED OTHERWISE.
DESIGN SUBJECT TO CHANGE
WITH EQUIPMENT SPECIFICATIONS.
ALL INFORMATION ON THIS
DRAWING IS PROPRIETARY AND
MAY NOT BE USED WITHOUT
PERMISSION FROM PROXIMITY
SYSTEMS, INC. © 2022.



EXT284106B2NNNNNNN

PROXIMITY

ALL DIMENSIONS ARE IN INCHES
UNLESS NOTED OTHERWISE.
DESIGN SUBJECT TO CHANGE
WITH EQUIPMENT SPECIFICATIONS.
ALL INFORMATION ON THIS
DRAWING IS PROPRIETARY AND
MAY NOT BE USED WITHOUT
PERMISSION FROM PROXIMITY
SYSTEMS, INC. ©2020.

SITE BASED DECISION
EXAMPLE ILLUSTRATED
ABOVE

WWW.PROXIMITYSYSTEMS.COM

TEL: 800-437-8111

