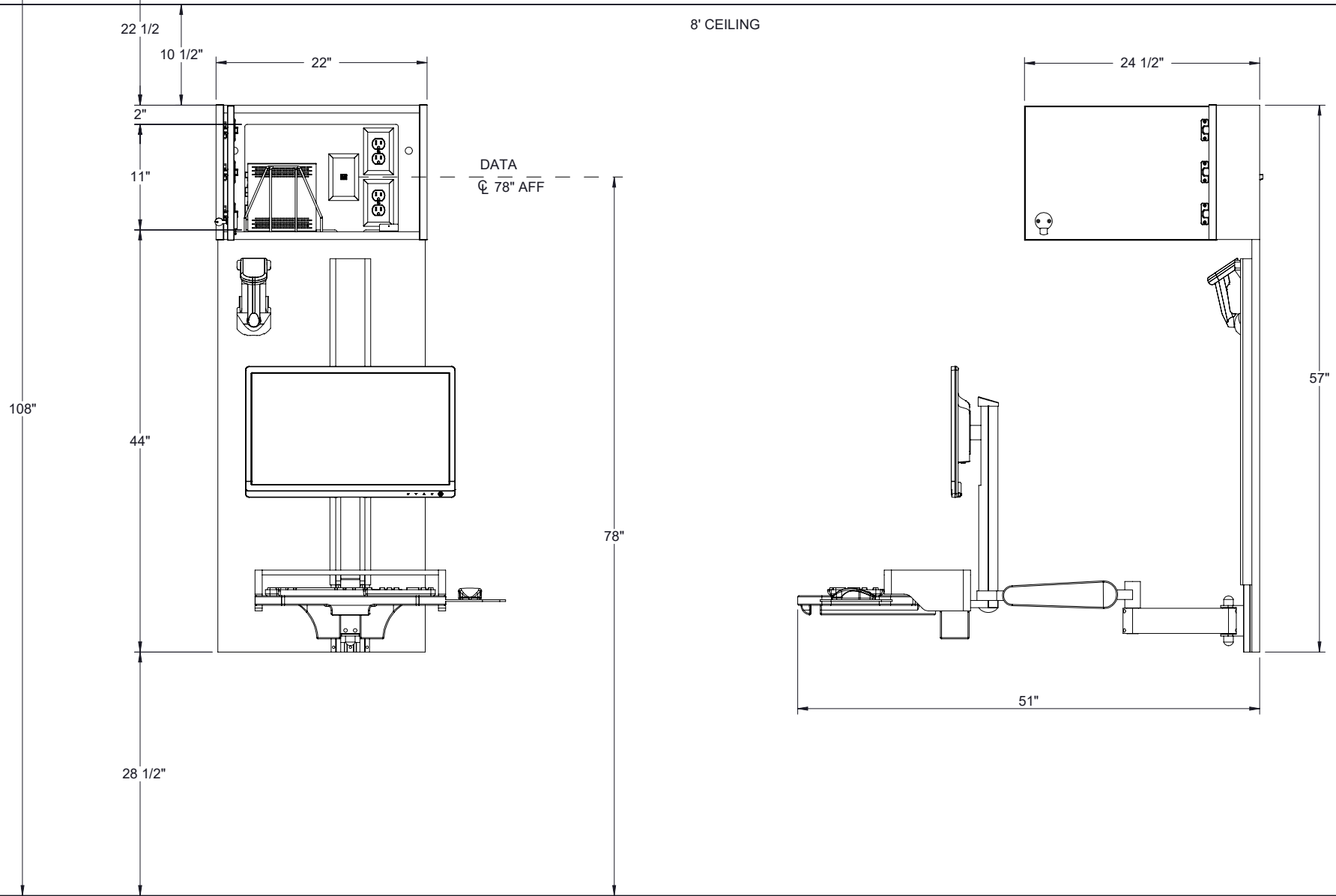






9' CEILING

8' CEILING



EXA225705N1NNNNNNN

**PROXIMITY**

ALL DIMENSIONS ARE IN INCHES  
UNLESS NOTED OTHERWISE.  
DESIGN SUBJECT TO CHANGE  
WITH EQUIPMENT SPECIFICATIONS.  
ALL INFORMATION ON THIS  
DRAWING IS PROPRIETARY AND  
MAY NOT BE USED WITHOUT  
PERMISSION FROM PROXIMITY  
SYSTEMS, INC. © 2023.

**\*SITE BASED DECISION  
EXAMPLE ILLUSTRATED  
ABOVE**

WWW.PROXIMITYSYSTEMS.COM

TEL: 800-437-8111

R: C



SCAN ME