



CLOSED

WILD CHERRY
SHOWN



OPEN

ELECTRICAL & DATA
78" \varnothing AFF.
REFERENCE PAGE 3
FOR EXACT LOCATION

EXT285007B2NANNNNN

SPECIFICATIONS

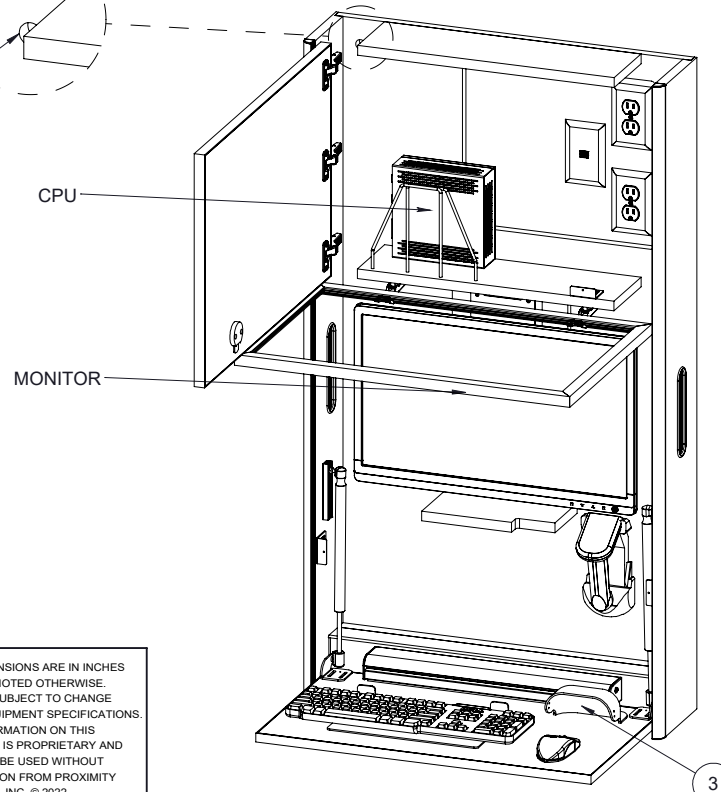
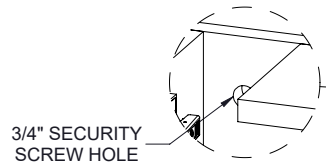
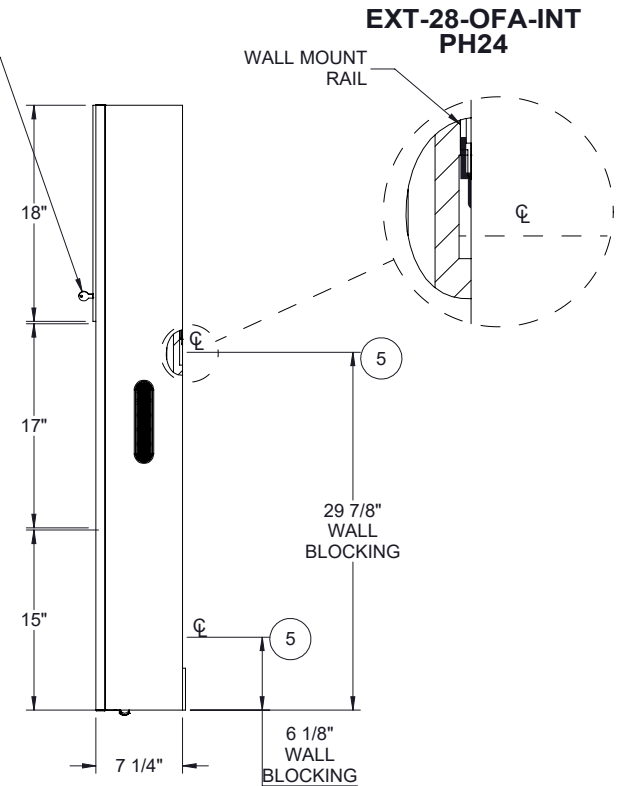
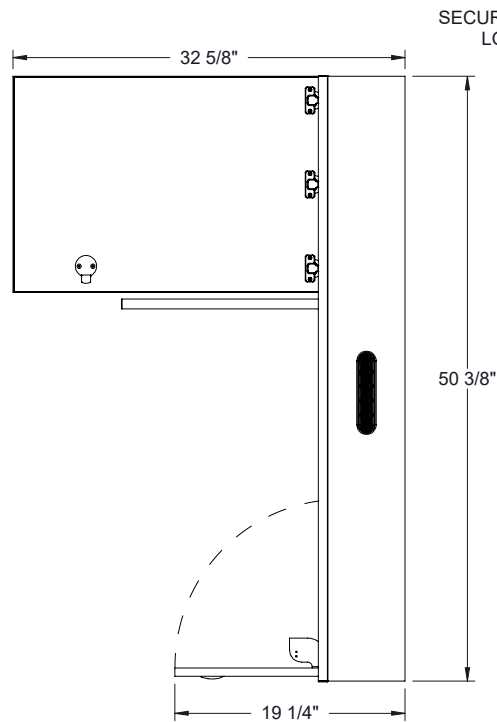
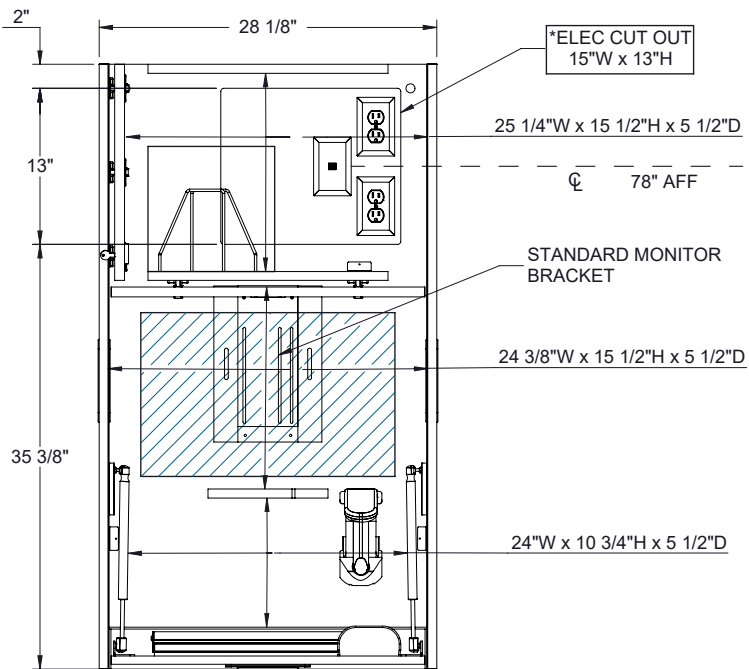
*ASSUMES VESA HOLE PATTERN IS CENTERED ON MONITOR

EQUIPMENT	MAX SIZE DIMENSIONS
CPU	15"W x 15"H x 5"D
*MONITOR	23"W x 15 1/2"H x 2 1/2"D
KEYBOARD / MOUSE AREA	26"W x 13"D

ALL DIMENSIONS ARE IN INCHES
UNLESS NOTED OTHERWISE.
DESIGN SUBJECT TO CHANGE
WITH EQUIPMENT SPECIFICATIONS.
ALL INFORMATION ON THIS
DRAWING IS PROPRIETARY AND
MAY NOT BE USED WITHOUT
PERMISSION FROM PROXIMITY
SYSTEMS, INC. © 2022.

INCLUDED

1. ELBOW CATCH TO LOCK OPEN FACE
2. MONITOR SPACER
3. N/A



AVAILABLE ACCESSORIES	
ITEM NO.	COMPONENTS (*NOT ALL ACCESSORIES SHOWN)
1	*EXTERNAL MOUNTING BRACKET
2	*LED LIGHT
3	MOUSE CATCHER
4	*UVC - RETRO FIT
5	WALL MOUNT RAIL SYSTEM
6	*INTERMEDIATE ACCESSORY KIT EM

R: E

SHEET 2 OF 2



EXT285007B2NANNNNN

PROXIMITY

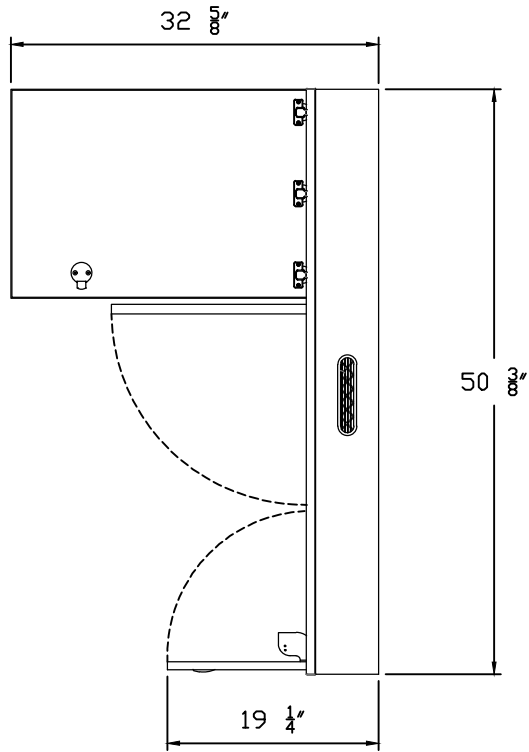
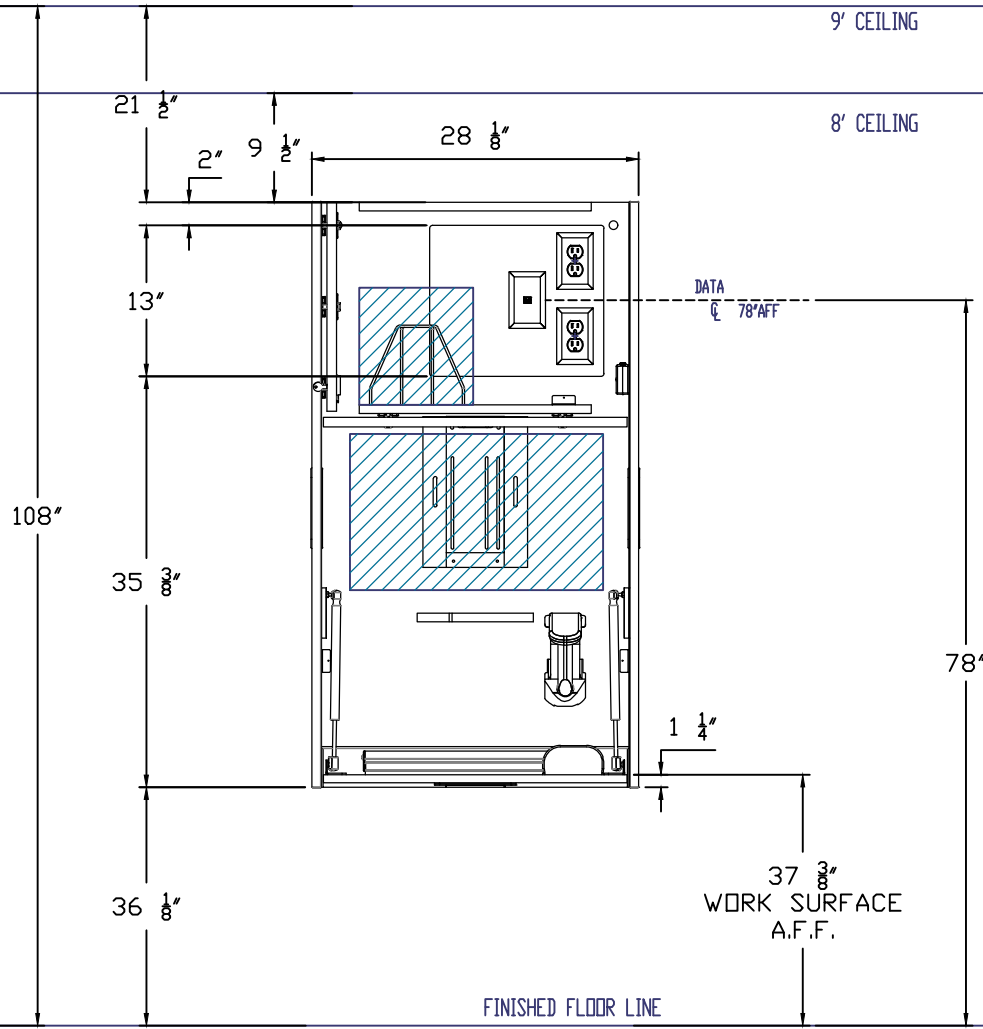
WWW.PROXIMITYSYSTEMS.COM

TEL: 800-437-8111

ALL DIMENSIONS ARE IN INCHES
UNLESS NOTED OTHERWISE.
DESIGN SUBJECT TO CHANGE
WITH EQUIPMENT SPECIFICATIONS.
ALL INFORMATION ON THIS
DRAWING IS PROPRIETARY AND
MAY NOT BE USED WITHOUT
PERMISSION FROM PROXIMITY
SYSTEMS, INC. © 2022.

9' CEILING

8' CEILING



EXT285007B2NANNNN

PROXIMITY

WWW.PROXIMITYSYSTEMS.COM

TEL: 800-437-8111

ALL DIMENSIONS ARE IN INCHES
UNLESS NOTED OTHERWISE.
DESIGN SUBJECT TO CHANGE
WITH EQUIPMENT SPECIFICATIONS.
ALL INFORMATION ON THIS
DRAWING IS PROPRIETARY AND
MAY NOT BE USED WITHOUT
PERMISSION FROM PROXIMITY
SYSTEMS, INC. ©2021

SITE BASED DECISION
EXAMPLE ILLUSTRATED
ABOVE

