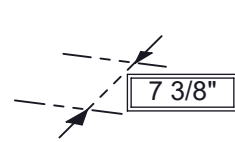
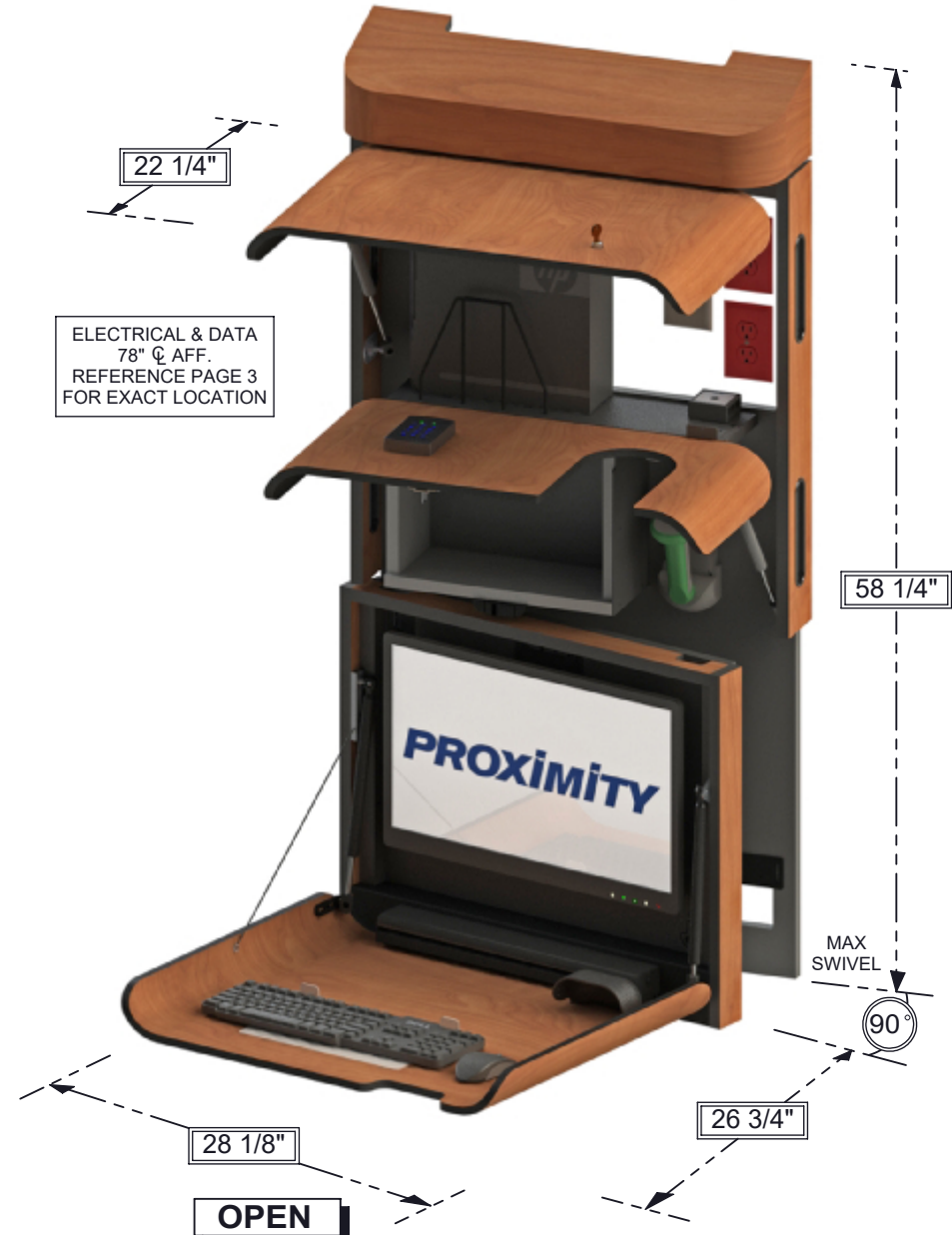




**CLOSED**



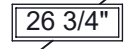
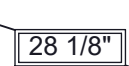
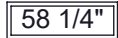
WILD CHERRY  
SHOWN



**OPEN**



ELECTRICAL & DATA  
78" Q AFF.  
REFERENCE PAGE 3  
FOR EXACT LOCATION



CWT285807B3NNSFN

**SPECIFICATIONS**

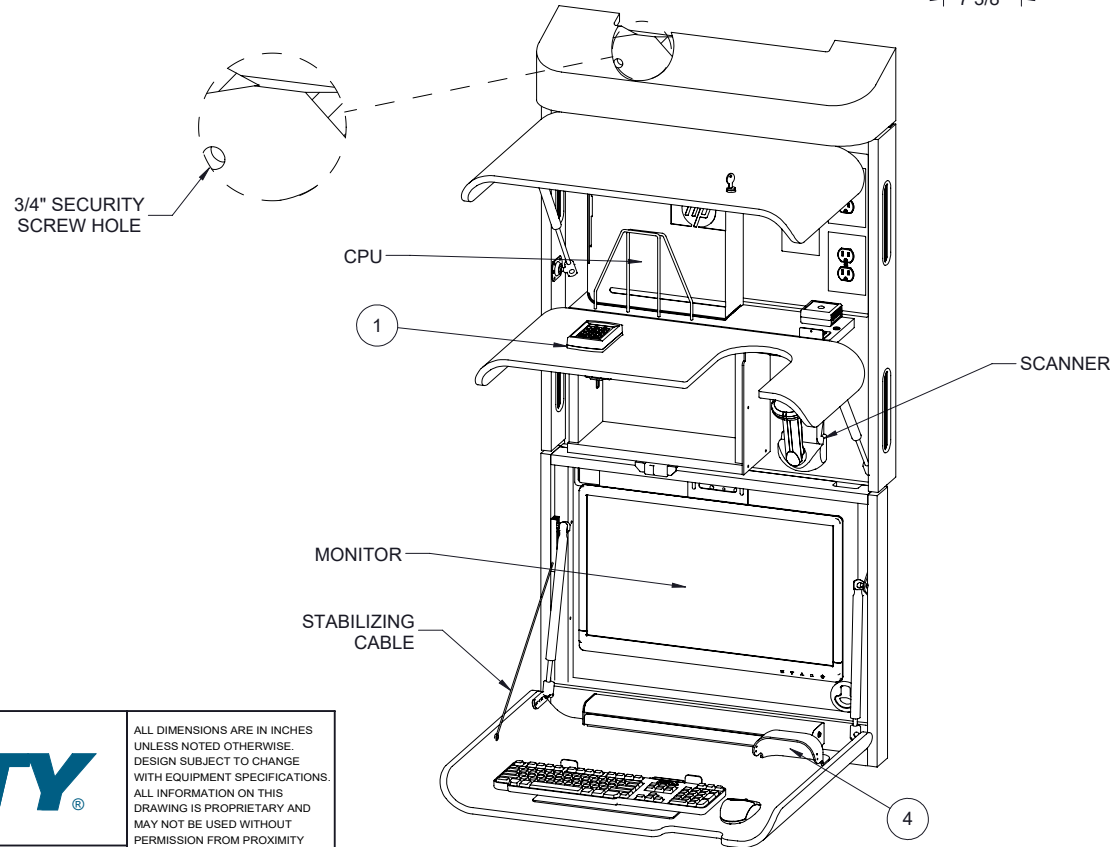
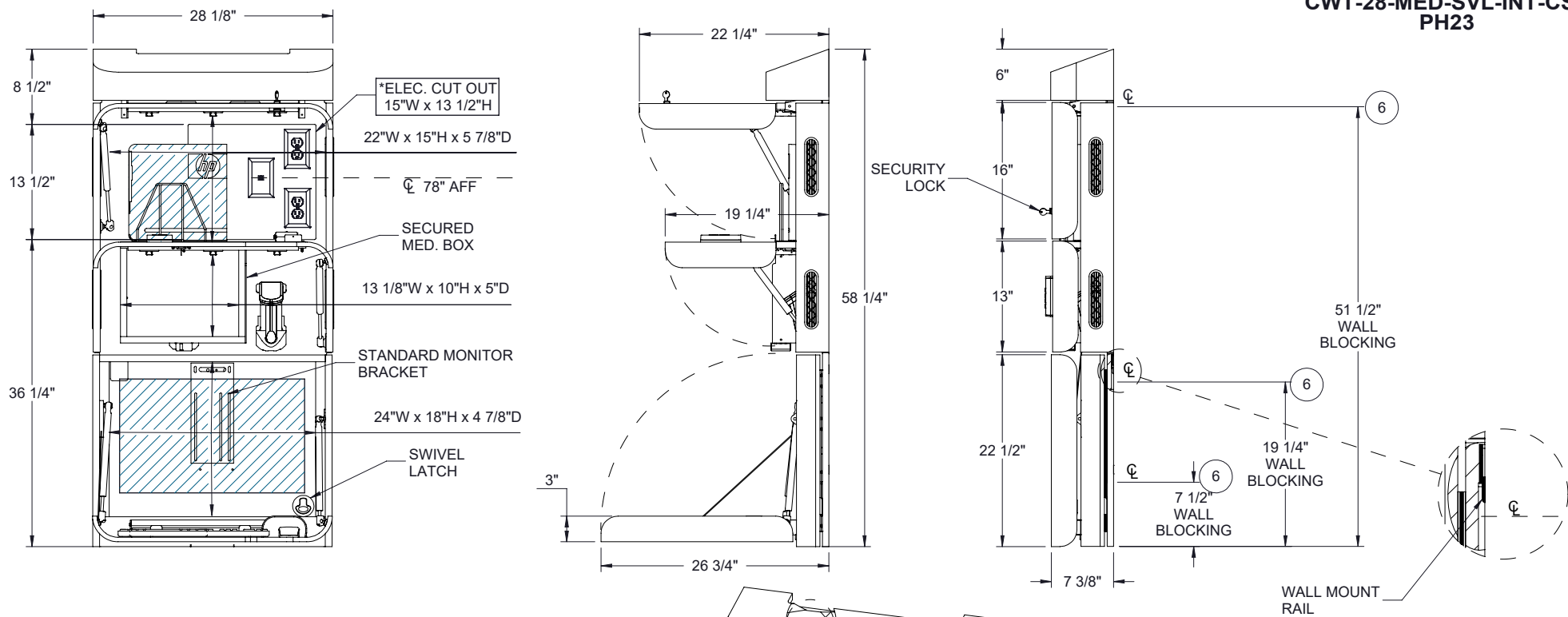
\*ASSUMES VESA HOLE PATTERN IS CENTERED ON MONITOR

EQUIPMENT	MAX SIZE DIMENSIONS
CPU	15"W x 13"H x 5"D
*MONITOR	23"W x 13 1/2"H x 2 1/2"D
KEYBOARD / MOUSE AREA	22"W x 20"D

ALL DIMENSIONS ARE IN INCHES  
UNLESS NOTED OTHERWISE.  
DESIGN SUBJECT TO CHANGE  
WITH EQUIPMENT SPECIFICATIONS.  
ALL INFORMATION ON THIS  
DRAWING IS PROPRIETARY AND  
MAY NOT BE USED WITHOUT  
PERMISSION FROM PROXIMITY  
SYSTEMS, INC. © 2022.

**INCLUDED**

1. N/A
2. N/A
3. N/A

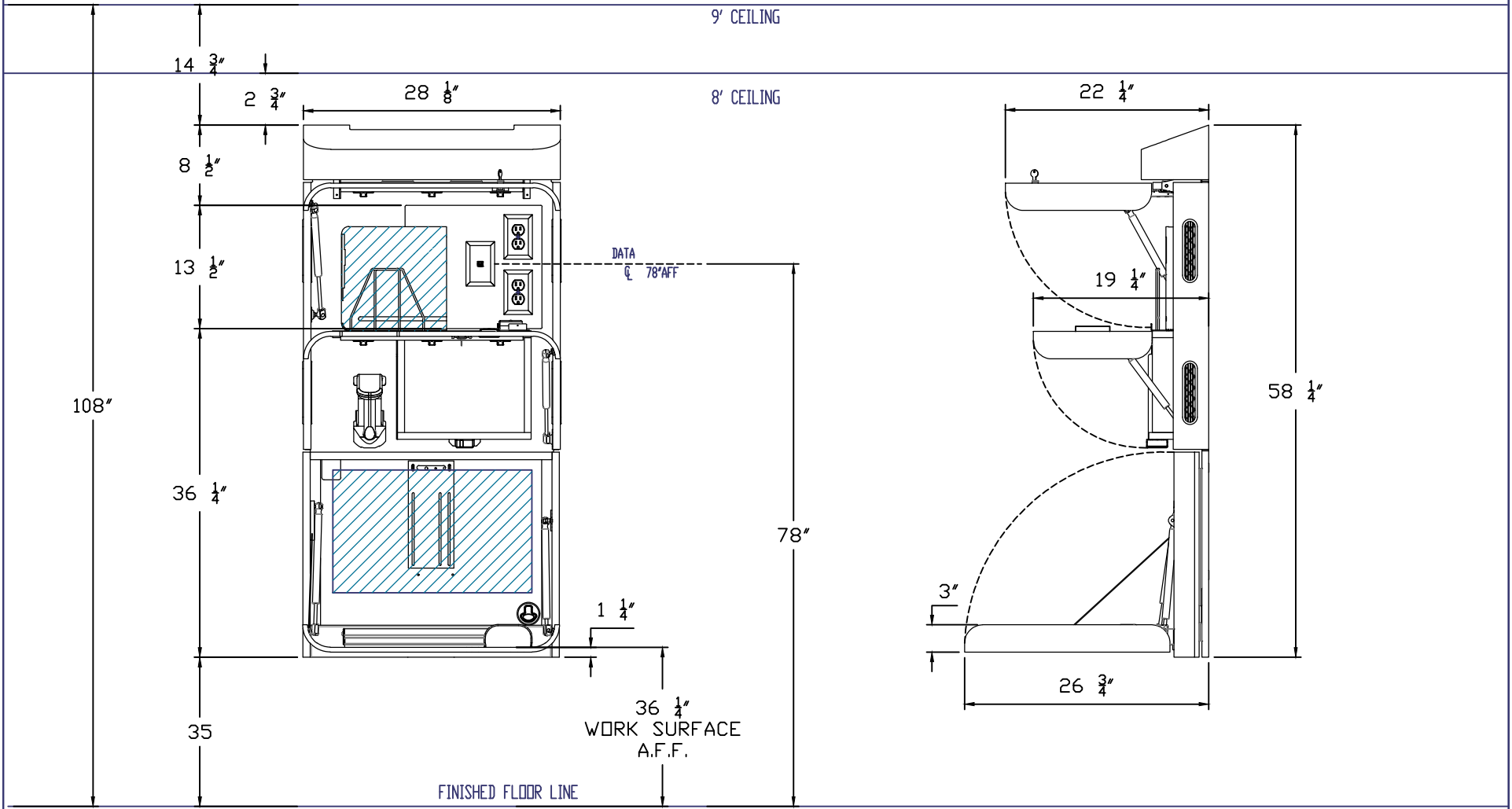


AVAILABLE ACCESSORIES	
ITEM NO.	COMPONENTS (*NOT ALL ACCESSORIES SHOWN)
1	ELECTRONIC LOCK & KEYPAD ON FRONT
2	*EXTERNAL MOUNTING BRACKET
3	*LED LIGHT
4	MOUSE CATCHER
5	*UVC - RETRO FIT
6	WALL MOUNT RAIL SYSTEM
7	*INTERMEDIATE MED ACCESSORY KIT

CWT285807B3NNSKNNN



ALL DIMENSIONS ARE IN INCHES  
UNLESS NOTED OTHERWISE.  
DESIGN SUBJECT TO CHANGE  
WITH EQUIPMENT SPECIFICATIONS.  
ALL INFORMATION ON THIS  
DRAWING IS PROPRIETARY AND  
MAY NOT BE USED WITHOUT  
PERMISSION FROM PROXIMITY  
SYSTEMS, INC. © 2022.

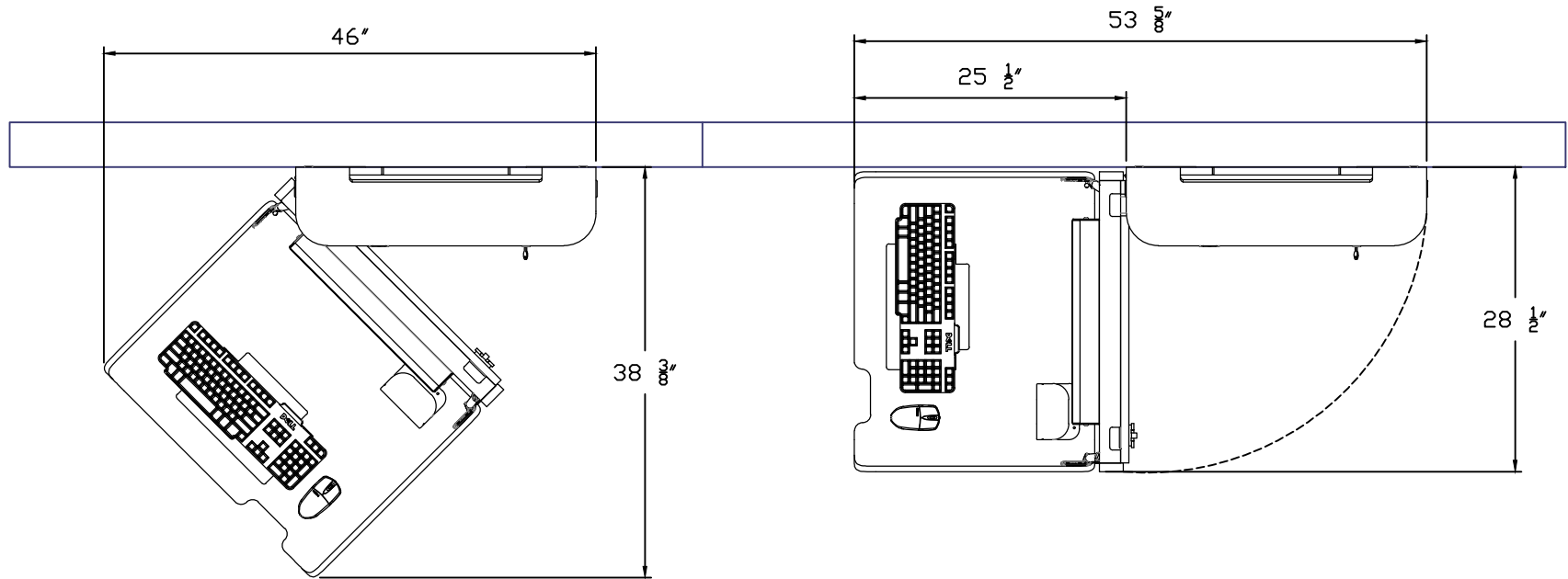
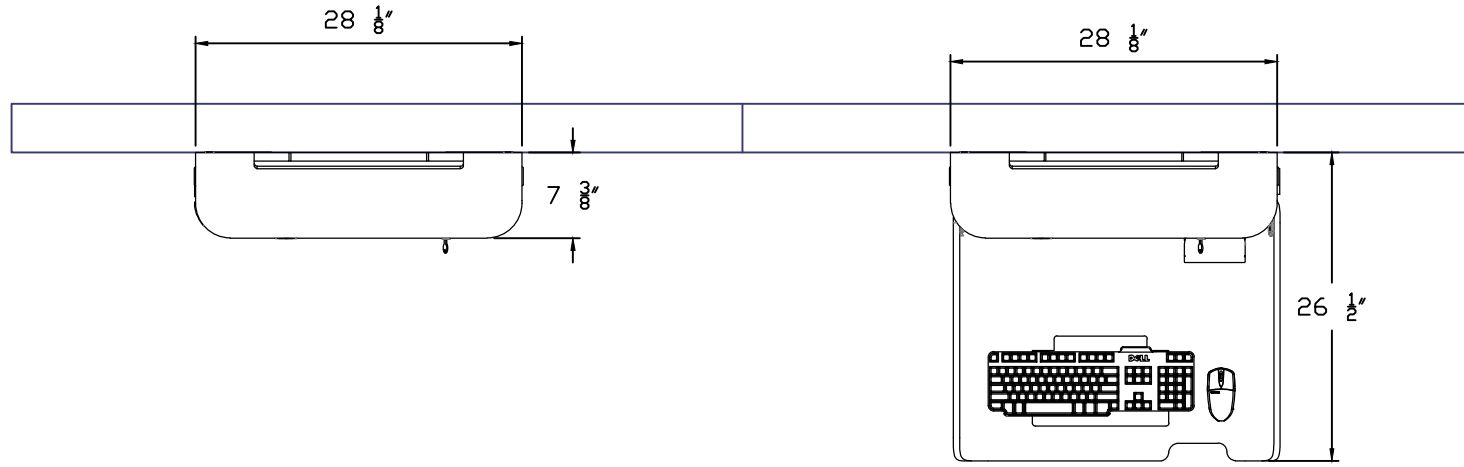


CWT285807B3NNSFNIN



ALL DIMENSIONS ARE IN INCHES  
UNLESS NOTED OTHERWISE.  
DESIGN SUBJECT TO CHANGE  
WITH EQUIPMENT SPECIFICATIONS.  
ALL INFORMATION ON THIS  
DRAWING IS PROPRIETARY AND  
MAY NOT BE USED WITHOUT  
PERMISSION FROM PROXIMITY  
SYSTEMS, INC. ©2021

\*SITE BASED DECISION\*  
EXAMPLE ILLUSTRATED  
ABOVE



CWT285807B3NNSFNIN

**PROXIMITY**

ALL DIMENSIONS ARE IN INCHES  
UNLESS NOTED OTHERWISE.  
DESIGN SUBJECT TO CHANGE  
WITH EQUIPMENT SPECIFICATIONS.  
ALL INFORMATION ON THIS  
DRAWING IS PROPRIETARY AND  
MAY NOT BE USED WITHOUT  
PERMISSION FROM PROXIMITY  
SYSTEMS, INC. ©2001