



ELECTRICAL & DATA  
64" C. AFF.  
REFERENCE PAGE 3  
FOR EXACT LOCATION

**CLOSED**

**OPEN**

WILD CHERRY  
SHOWN

EX1283109B1NNNNNNN

**SPECIFICATIONS**

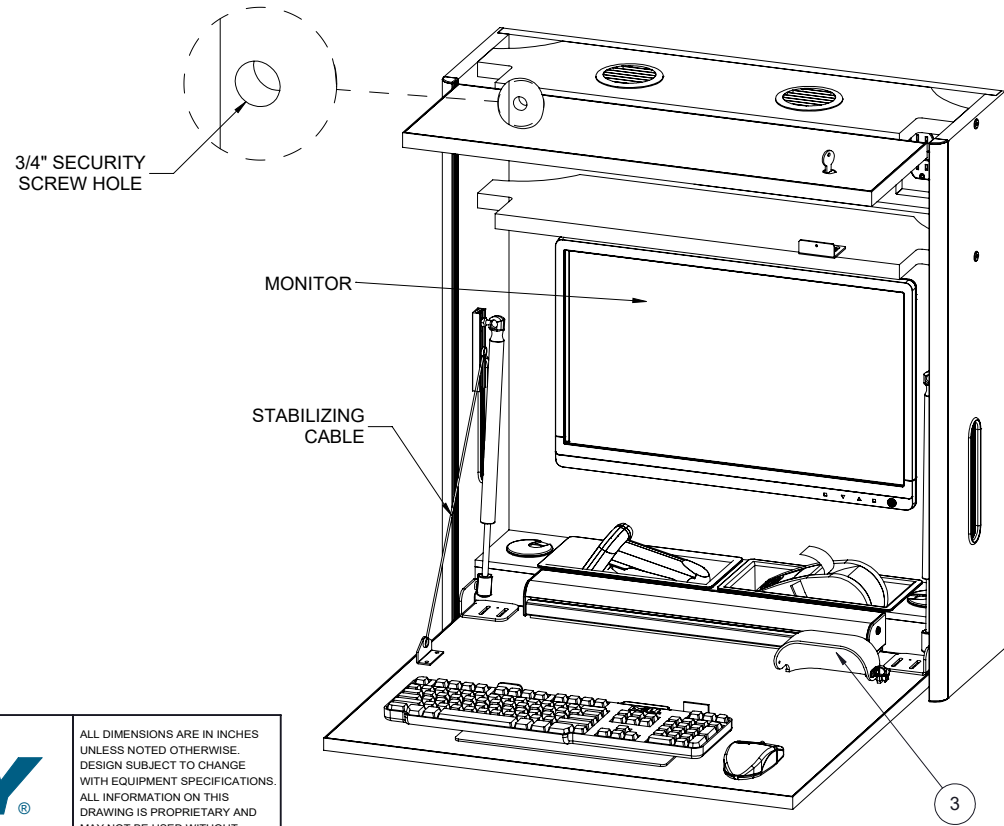
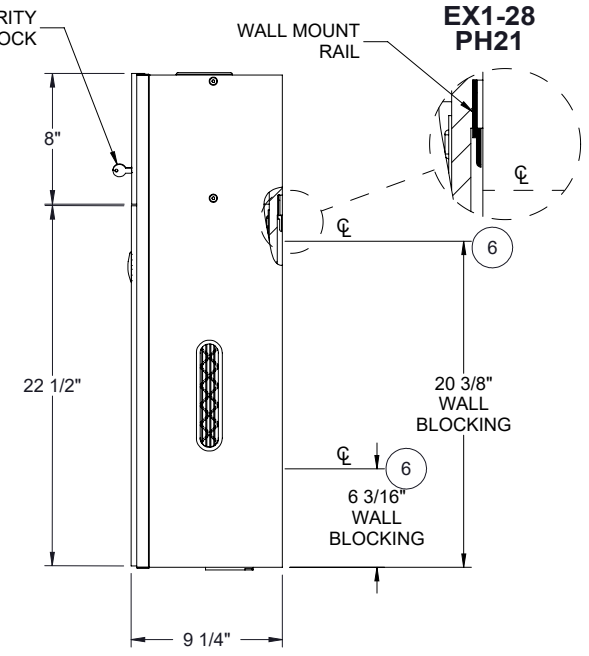
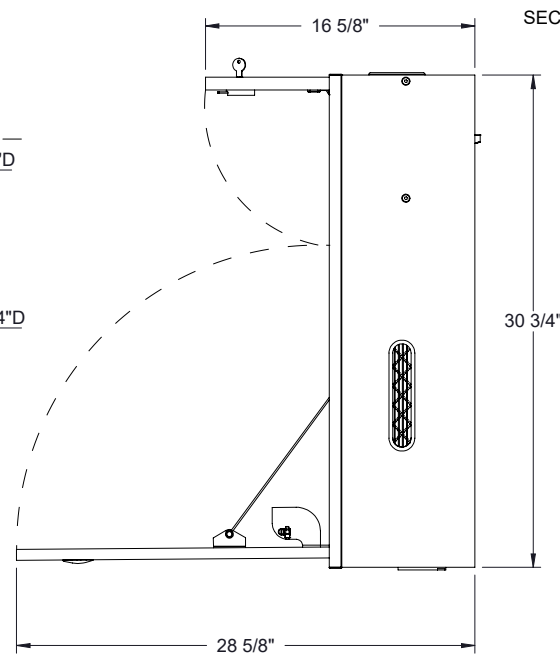
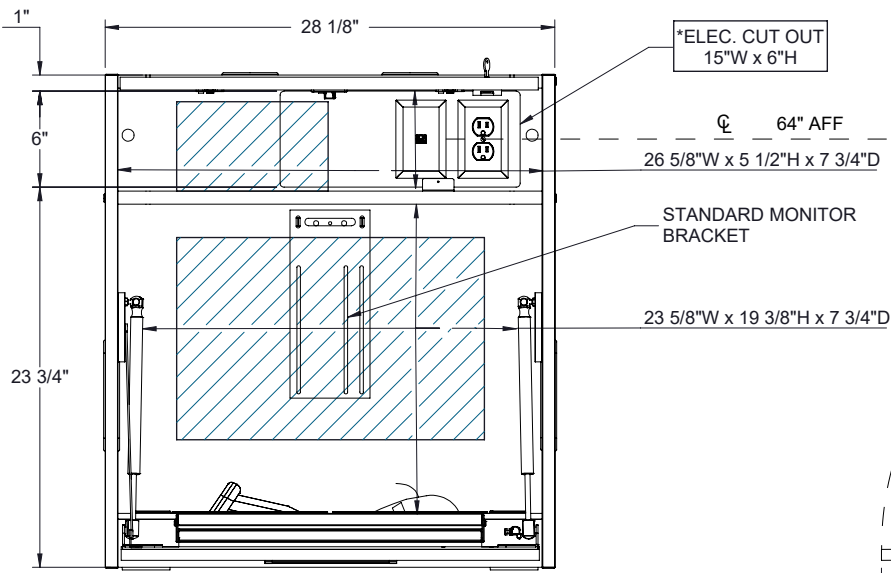
\*ASSUMES VESA HOLE PATTERN IS CENTERED ON MONITOR

EQUIPMENT	MAX SIZE DIMENSIONS
CPU	12"W x 5 1/2"H x 7"D
*MONITOR	23"W x 15"H x 4 1/2"D
KEYBOARD / MOUSE AREA	26"W x 20"D

ALL DIMENSIONS ARE IN INCHES  
UNLESS NOTED OTHERWISE.  
DESIGN SUBJECT TO CHANGE  
WITH EQUIPMENT SPECIFICATIONS.  
ALL INFORMATION ON THIS  
DRAWING IS PROPRIETARY AND  
MAY NOT BE USED WITHOUT  
PERMISSION FROM PROXIMITY  
SYSTEMS, INC. © 2022.

**INCLUDED**

1. N/A
2. N/A
3. N/A



AVAILABLE ACCESSORIES	
ITEM NO.	COMPONENTS (*NOT ALL ACCESSORIES SHOWN)
1	*LED LIGHT
2	*MONITOR ARM SWIVEL
3	MOUSE CATCHER
4	*TILT MONITOR BRACKET
5	*UVC - SURFACE MOUNT
6	WALL MOUNT RAIL SYSTEM
7	*STANDARD ACCESSORY KIT



SCAN ME

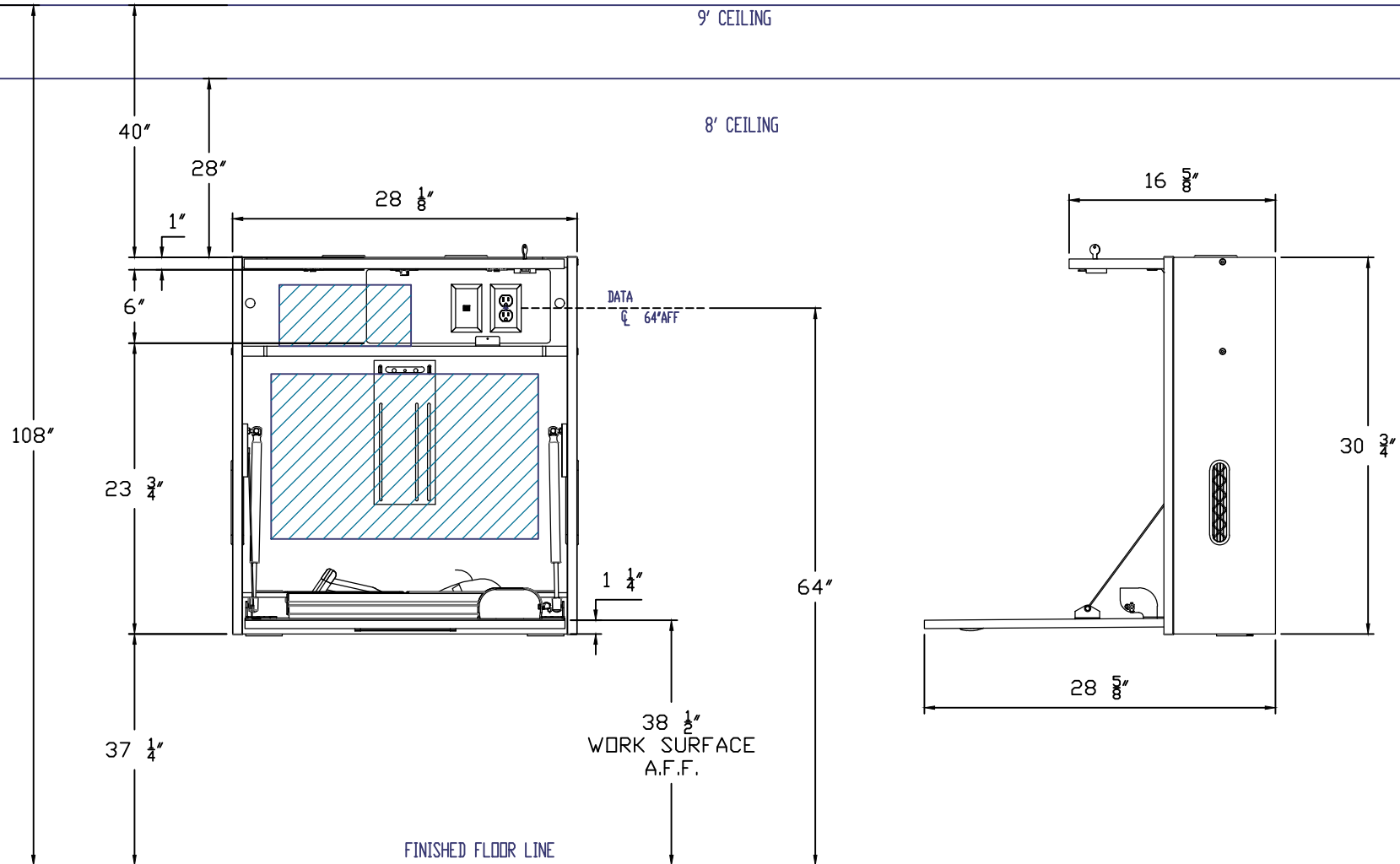
EX1283109B1NNNNNNN

**PROXIMITY**

ALL DIMENSIONS ARE IN INCHES UNLESS NOTED OTHERWISE. DESIGN SUBJECT TO CHANGE WITH EQUIPMENT SPECIFICATIONS. ALL INFORMATION ON THIS DRAWING IS PROPRIETARY AND MAY NOT BE USED WITHOUT PERMISSION FROM PROXIMITY SYSTEMS, INC. © 2022.

9' CEILING

8' CEILING



EX1283109B1NNNNNNN

**PROXIMITY**

WWW.PROXIMITYSYSTEMS.COM

TEL: 800-437-8111

ALL DIMENSIONS ARE IN INCHES  
UNLESS NOTED OTHERWISE.  
DESIGN SUBJECT TO CHANGE  
WITH EQUIPMENT SPECIFICATIONS.  
ALL INFORMATION ON THIS  
DRAWING IS PROPRIETARY AND  
MAY NOT BE USED WITHOUT  
PERMISSION FROM PROXIMITY  
SYSTEMS, INC. ©2021

\*SITE BASED DECISION\*  
EXAMPLE ILLUSTRATED  
ABOVE

