



CLOSED

OPEN

WILD CHERRY
SHOWN

CWT285910B3NNSFN

SPECIFICATIONS

*ASSUMES VESA HOLE PATTERN IS CENTERED ON MONITOR

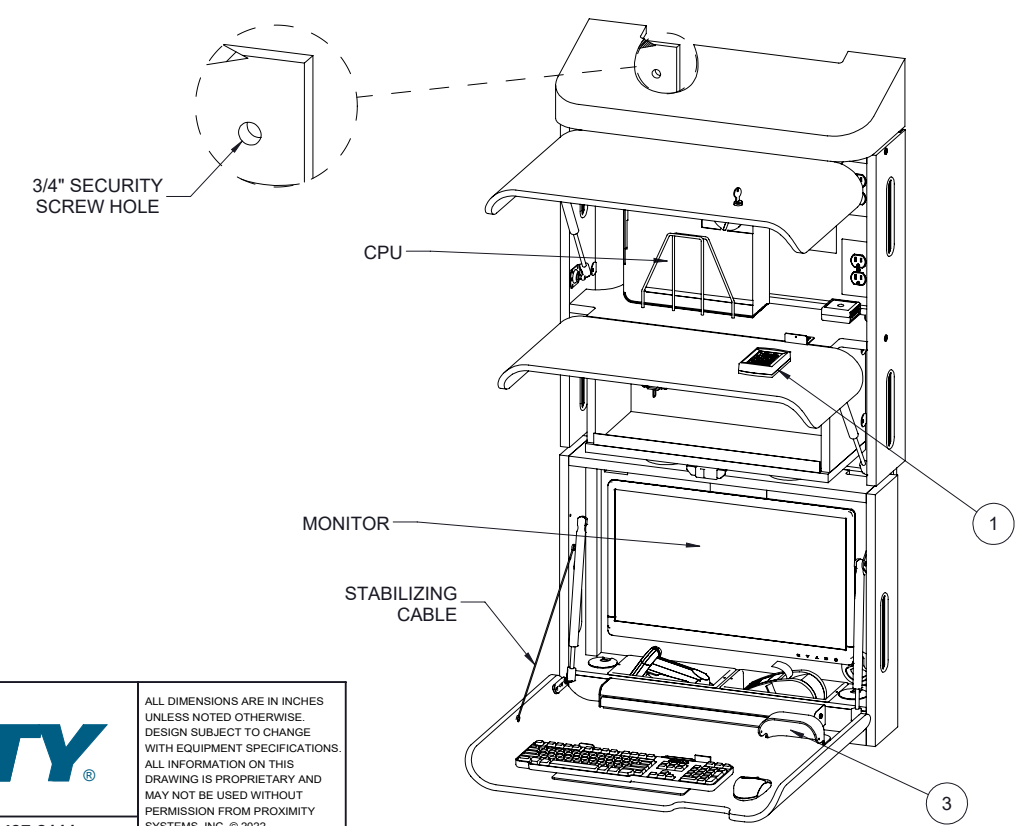
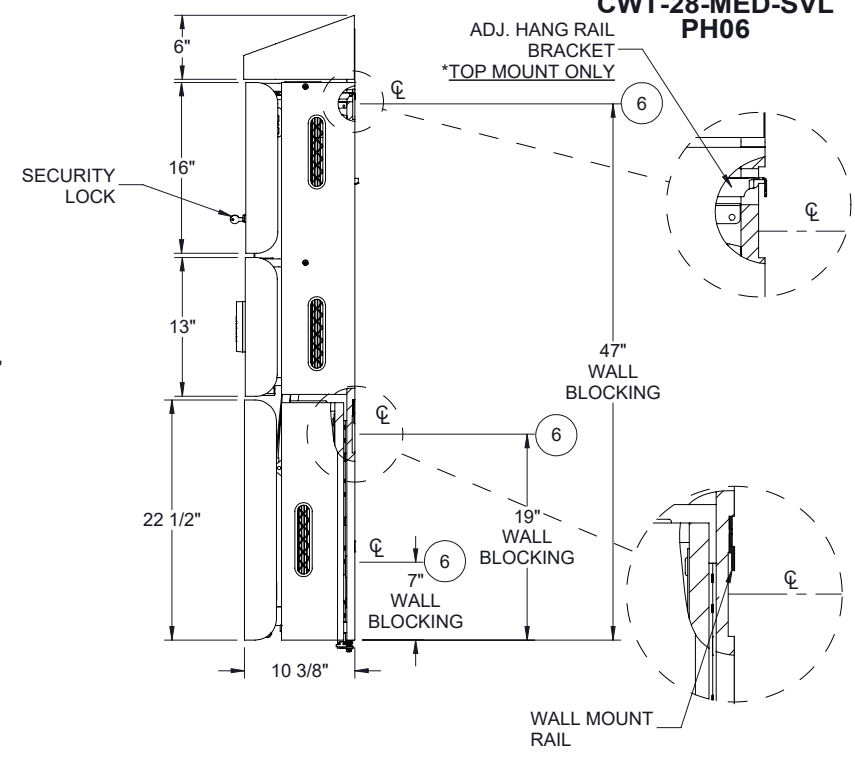
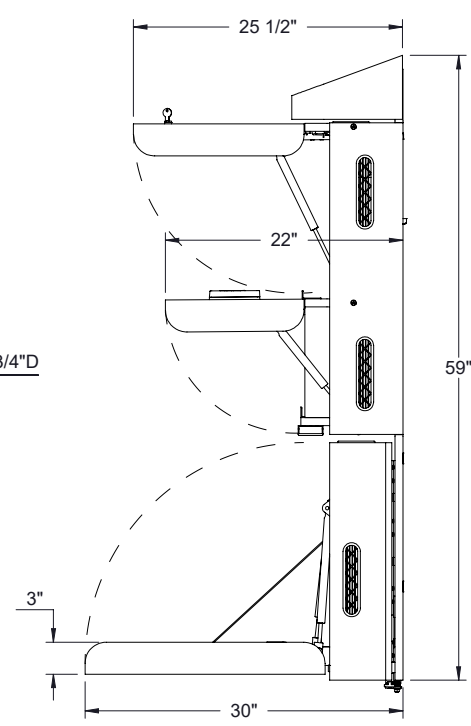
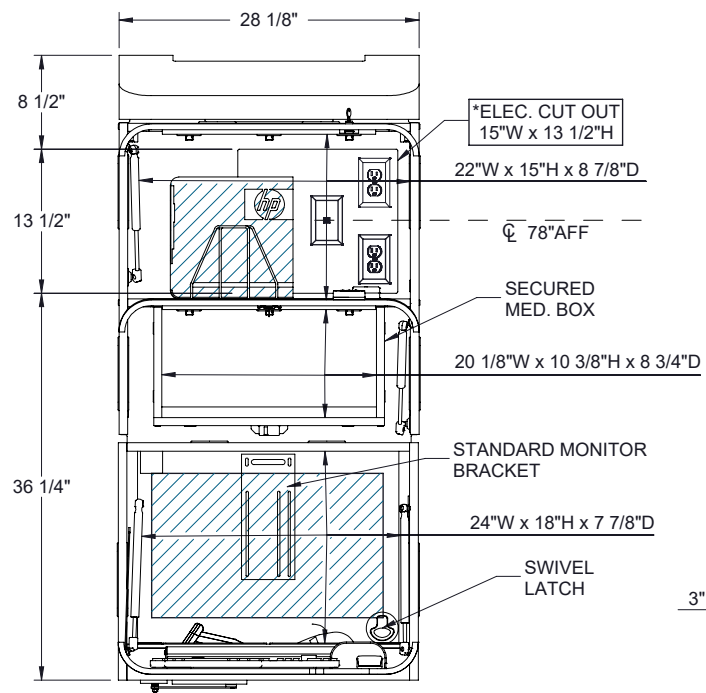
EQUIPMENT	MAX SIZE DIMENSIONS
CPU	13"W x 15"H x 7"D
*MONITOR	23"W x 13 1/2"H x 4 1/2"D
KEYBOARD / MOUSE AREA	22"W x 20"D

ALL DIMENSIONS ARE IN INCHES UNLESS NOTED OTHERWISE. DESIGN SUBJECT TO CHANGE WITH EQUIPMENT SPECIFICATIONS. ALL INFORMATION ON THIS DRAWING IS PROPRIETARY AND MAY NOT BE USED WITHOUT PERMISSION FROM PROXIMITY SYSTEMS, INC. © 2022.

INCLUDED

1. N/A
2. N/A
3. N/A

**CWT-28-MED-SVL
PH06**

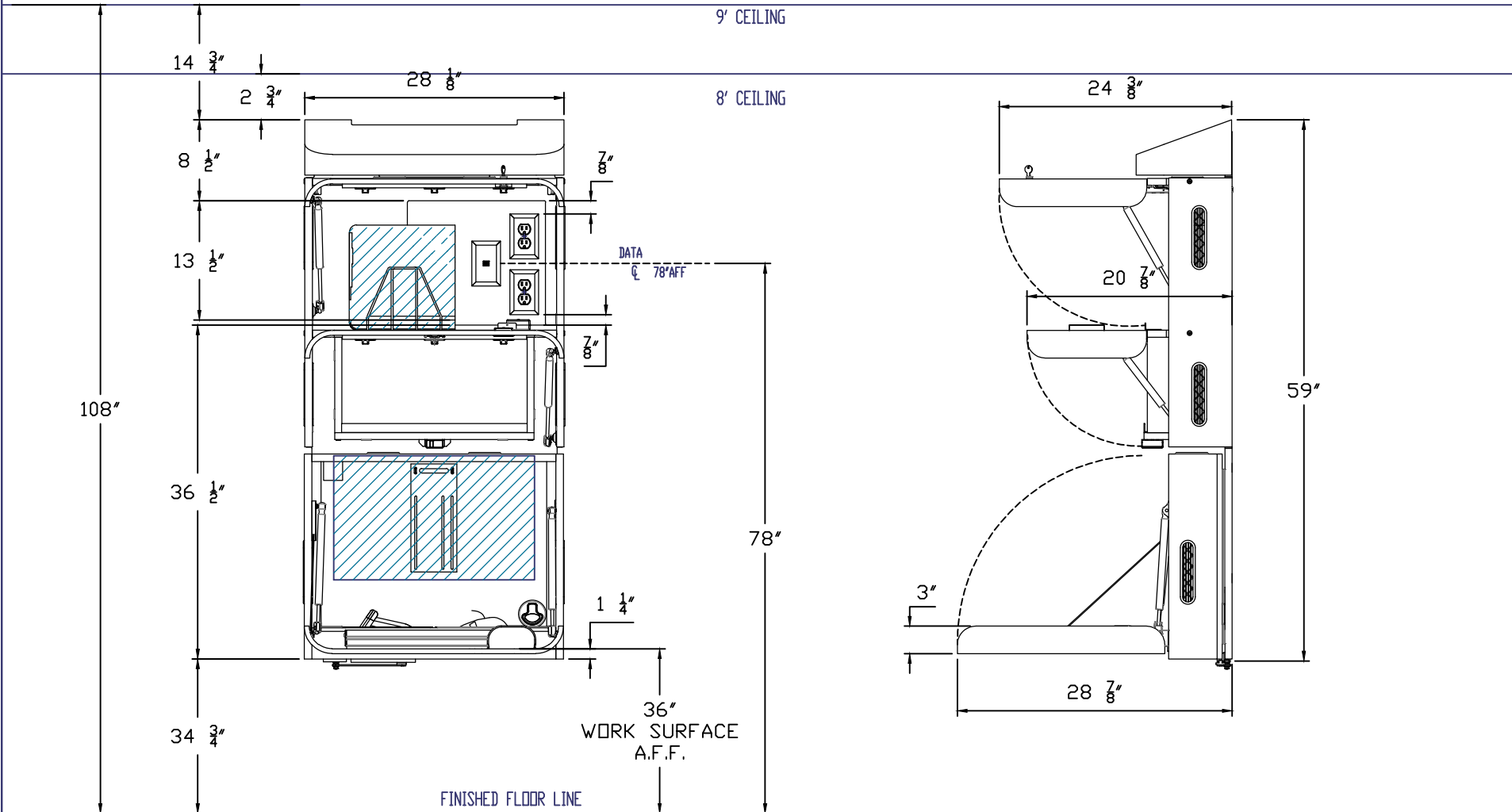


AVAILABLE ACCESSORIES	
ITEM NO.	COMPONENTS (*NOT ALL ACCESSORIES SHOWN)
1	ELECTRONIC LOCK & KEYPAD ON FRONT
2	*LED LIGHT
3	MOUSE CATCHER
4	*TILT MONITOR BRACKET
5	*UVC - RETRO FIT
6	WALL MOUNT RAIL SYSTEM
7	*STANDARD MED ACCESSORY KIT

CWT285910B3NNSFN



ALL DIMENSIONS ARE IN INCHES UNLESS NOTED OTHERWISE. DESIGN SUBJECT TO CHANGE WITH EQUIPMENT SPECIFICATIONS. ALL INFORMATION ON THIS DRAWING IS PROPRIETARY AND MAY NOT BE USED WITHOUT PERMISSION FROM PROXIMITY SYSTEMS, INC. © 2022.



CWT285910B3NNSFNIN

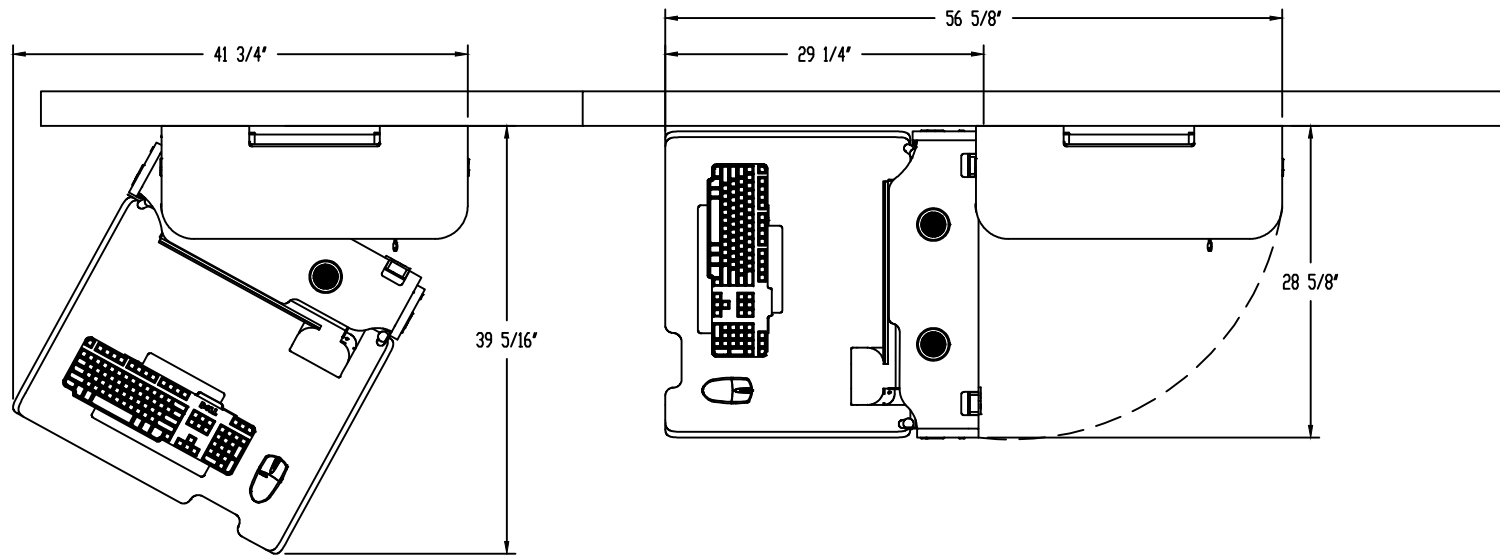
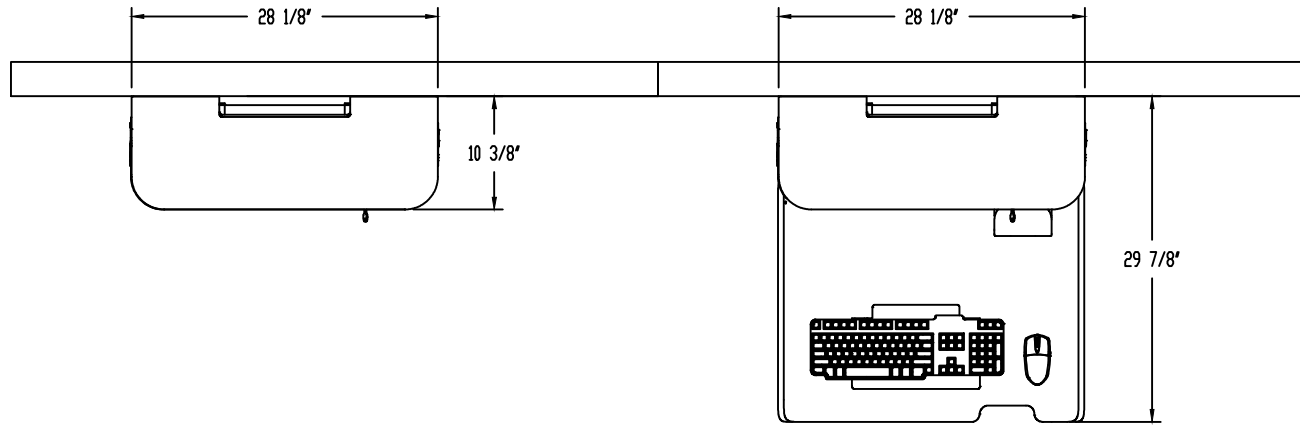
PROXIMITY

ALL DIMENSIONS ARE IN INCHES
UNLESS NOTED OTHERWISE.
DESIGN SUBJECT TO CHANGE
WITH EQUIPMENT SPECIFICATIONS.
ALL INFORMATION ON THIS
DRAWING IS PROPRIETARY AND
MAY NOT BE USED WITHOUT
PERMISSION FROM PROXIMITY
SYSTEMS, INC. ©2021

SITE BASED DECISION
EXAMPLE ILLUSTRATED
ABOVE

TOP VIEW OF
SWIVEL UNIT

CWT-28-MED-SVL
PH06



CWT285910B3NNSKNN

PROXIMITY

ALL DIMENSIONS ARE IN INCHES
UNLESS NOTED OTHERWISE.
DESIGN SUBJECT TO CHANGE
WITH EQUIPMENT SPECIFICATIONS.
ALL INFORMATION ON THIS
DRAWING IS PROPRIETARY AND
MAY NOT BE USED WITHOUT
PERMISSION FROM PROXIMITY
SYSTEMS, INC. ©2021.

WWW.PROXIMITYSYSTEMS.COM

TEL: 800-437-8111