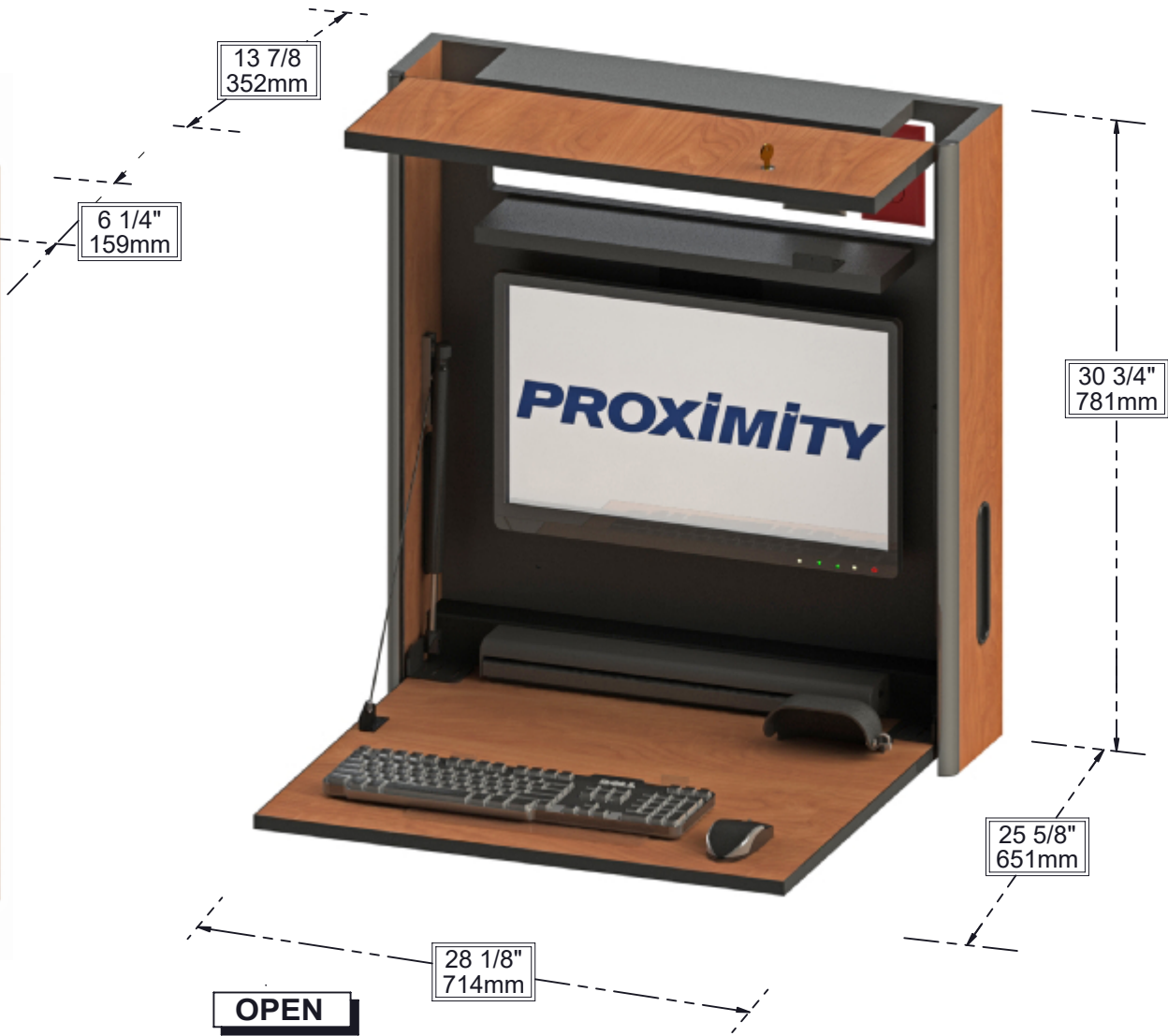



**CLOSED**

 WILD CHERRY  
 EX1-6054-7054  
 SHOWN

**OPEN**

**STANDARD PART NUMBERS AND AVAILABLE COLORS\*\***

#60 FINISH STANDARD

FROSTY WHITE	FUSION MAPLE	PORTICO TEAK	RUSSET ALONA	WILD CHERRY	BRIGHTON WALNUT	OTHER COLORS CALL PROXIMITY
EX1-6054-1573	EX1-6054-7909	EX1-6054-8210	EX1-6054-Y0291	EX1-6054-7054	EX1-6054-7922	EX1-6054-9999

EX1283106B1NNNNND

**SPECIFICATIONS**

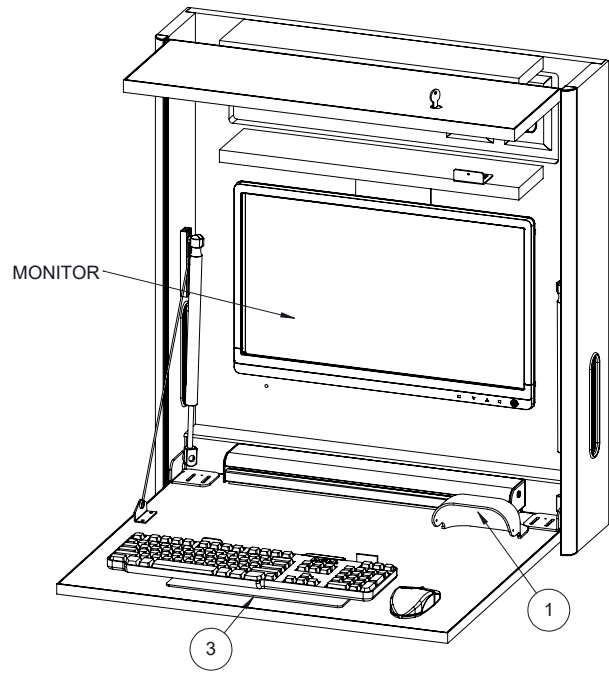
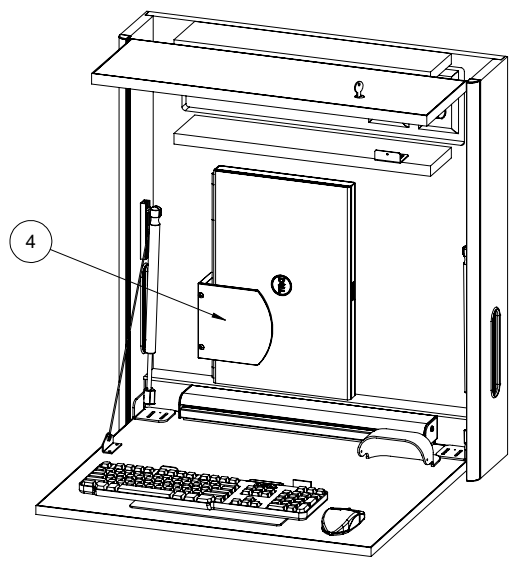
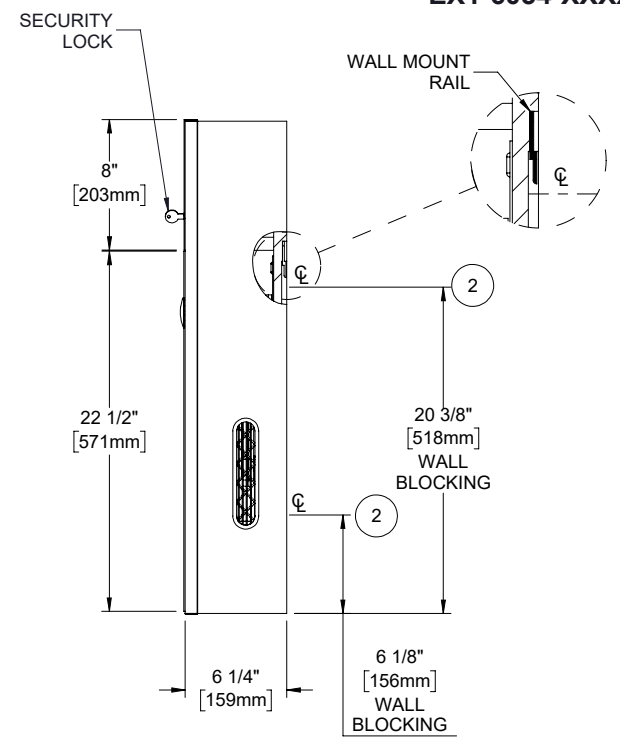
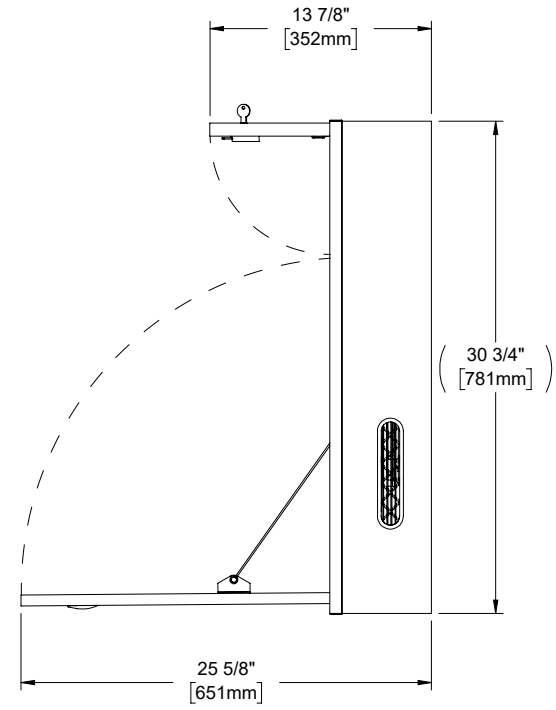
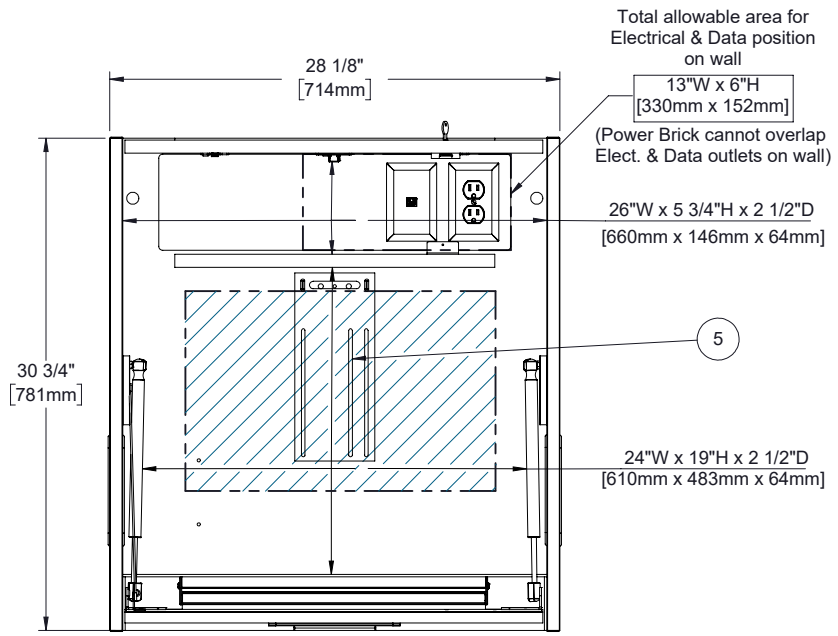
\*ASSUMES VESA HOLE PATTERN IS CENTERED ON MONITOR

EQUIPMENT	MAX SIZE DIMENSIONS
CPU	N/A
*MONITOR	23"W x 15"H x 2 1/2"D
KEYBOARD/MOUSE AREA	26"W x 20"D

ALL DIMENSIONS ARE IN INCHES UNLESS NOTED OTHERWISE. DESIGN SUBJECT TO CHANGE WITH EQUIPMENT SPECIFICATIONS. ALL INFORMATION ON THIS DRAWING IS PROPRIETARY AND MAY NOT BE USED WITHOUT PERMISSION FROM PROXIMITY SYSTEMS, INC. © 2020.

**OPTIONAL ACCESSORIES/PART NO. (NOT INCLUDED)**

1.	UVC-RETRO FIT: UVC-RF-NA
2.	N/A
3.	N/A



COMPONENTS INCLUDED	
ITEM NO.	COMPONENTS
1	MOUSE CATCHER
2	WALL MOUNT RAIL SYSTEM
3	KEYBOARD TRAY
4	T-1 CHART HOLDER
5	MONITOR BRACKET MOUNT
R: A	SHEET 2 OF 2

EX1283106B1NNNNNND



ALL DIMENSIONS ARE IN INCHES UNLESS NOTED OTHERWISE. DESIGN SUBJECT TO CHANGE WITH EQUIPMENT SPECIFICATIONS. ALL INFORMATION ON THIS DRAWING IS PROPRIETARY AND MAY NOT BE USED WITHOUT PERMISSION FROM PROXIMITY SYSTEMS, INC. © 2020.