



**CLOSED**

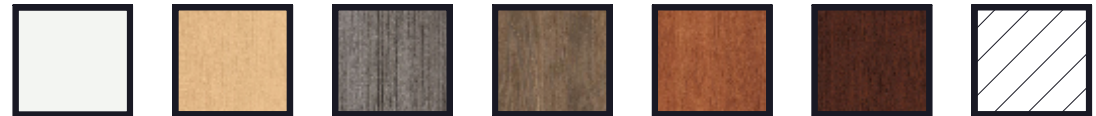
WILD CHERRY  
CXT-6038-7054  
SHOWN



**OPEN**

**STANDARD PART NUMBERS AND AVAILABLE COLORS\*\* #60 FINISH STANDARD**

FROSTY WHITE CXT-6038-1573	FUSION MAPLE CXT-6038-7909	PORTICO TEAK CXT-6038-8210	RUSSET ALONA CXT-6038-Y0291	WILD CHERRY CXT-6038-7054	BRIGHTON WALNUT CXT-6038-7922	OTHER COLORS CALL PROXIMITY CXT-6038-9999
-------------------------------	-------------------------------	-------------------------------	--------------------------------	------------------------------	----------------------------------	--



**OPTIONAL ACCESSORIES/PART NO. (NOT INCLUDED)**

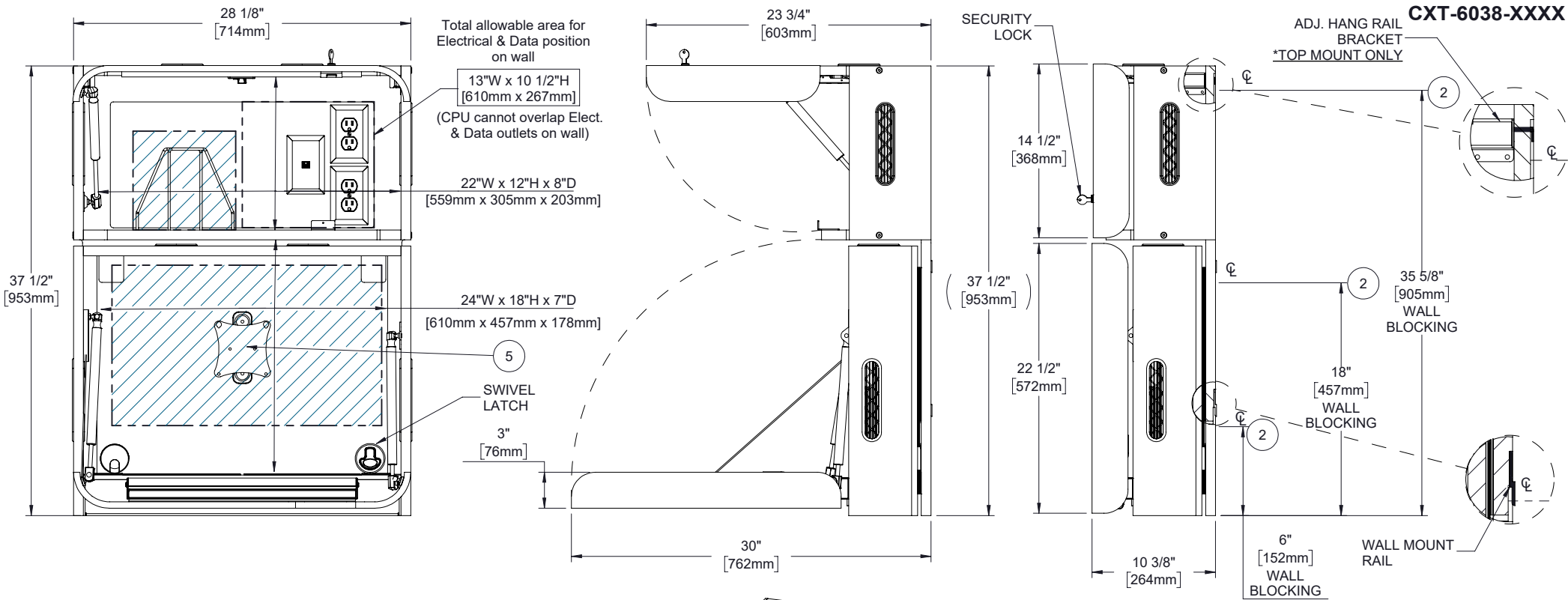
1. SLOPED CABINET TOP: AC-CTOP-10-XXXX
2. COVER FOR RECESSED STORAGE: AC-CNTR-CVR
3. LED LIGHT: AC-LED-LGHT
4. MONITOR ARM: AC-ARM
5. UVC SURFACE MOUNT: UVC-SM-NA

**SPECIFICATIONS**

\*ASSUMES VESA HOLE PATTERN IS CENTERED ON MONITOR

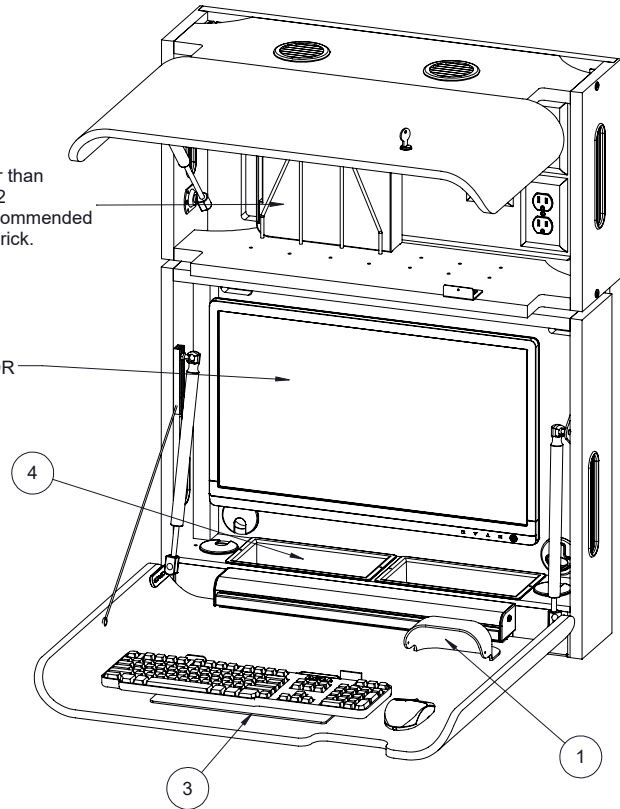
EQUIPMENT	MAX SIZE DIMENSIONS
CPU	15"W x 12"H x 8"D
*MONITOR	24"W x 13"H x 3"D
KEYBOARD/MOUSE AREA	22"W x 20"D

ALL DIMENSIONS ARE IN INCHES UNLESS NOTED OTHERWISE. DESIGN SUBJECT TO CHANGE WITH EQUIPMENT SPECIFICATIONS. ALL INFORMATION ON THIS DRAWING IS PROPRIETARY AND MAY NOT BE USED WITHOUT PERMISSION FROM PROXIMITY SYSTEMS, INC. © 2020.



CPU's larger than 10x10x2  
Top accessory recommended for power brick.

MONITOR



COMPONENTS INCLUDED	
ITEM NO.	COMPONENTS
1	MOUSE CATCHER
2	WALL MOUNT RAIL SYSTEM
3	KEYBOARD TRAY
4	RECESSED STORAGE
5	MONITOR TILT MOUNT

R: A

CXT283810T2NNLNNND



ALL DIMENSIONS ARE IN INCHES UNLESS NOTED OTHERWISE. DESIGN SUBJECT TO CHANGE WITH EQUIPMENT SPECIFICATIONS. ALL INFORMATION ON THIS DRAWING IS PROPRIETARY AND MAY NOT BE USED WITHOUT PERMISSION FROM PROXIMITY SYSTEMS, INC. © 2020.