

WILD CHERRY  
EXT-6057-7054  
SHOWN

**STANDARD PART NUMBERS AND AVAILABLE COLORS\*\*** #60 FINISH STANDARD

FROSTY WHITE EXT-6057-1573	FUSION MAPLE EXT-6057-7909	PORTICO TEAK EXT-6057-8210	RUSSET ALONA EXT-6057-Y0291	WILD CHERRY EXT-6057-7054	BRIGHTON WALNUT EXT-6057-7922	OTHER COLORS CALL PROXIMITY EXT-6057-9999

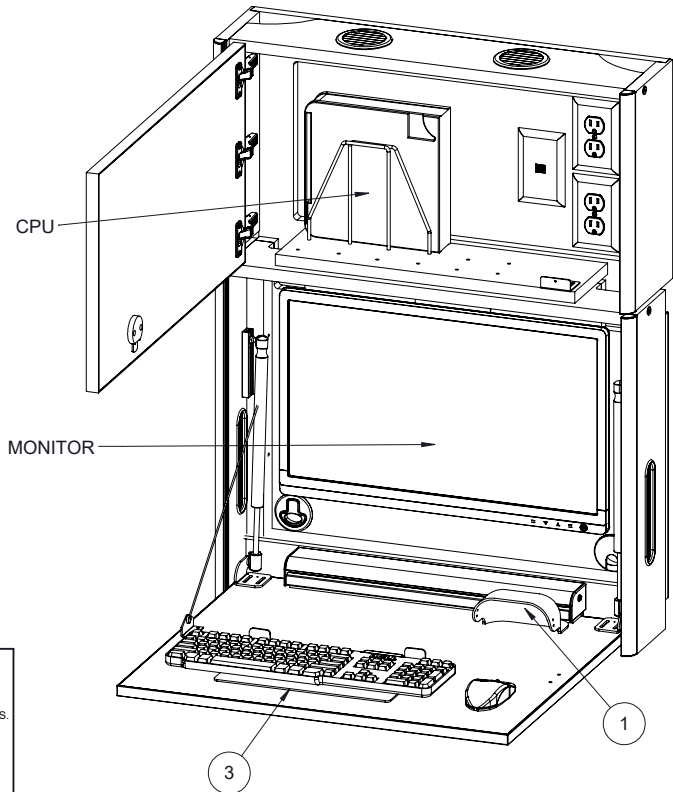
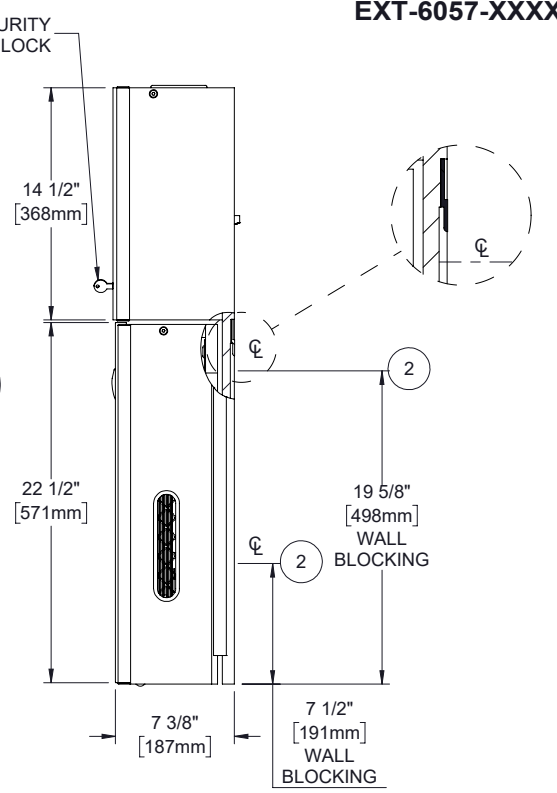
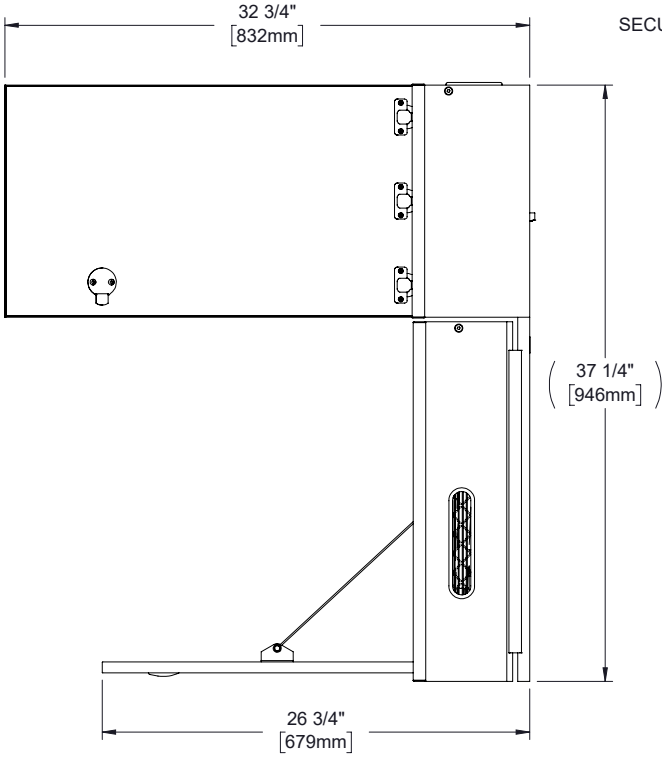
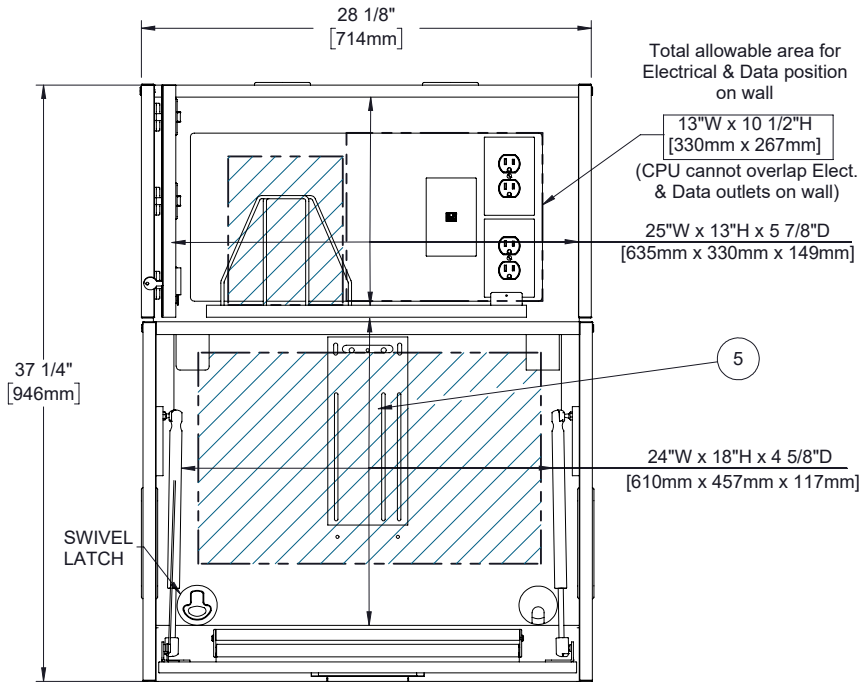
EXT283707B2NNRNNND

WWW.PROXIMITYSYSTEMS.COM      TEL: 800-437-8111

SPECIFICATIONS	
*ASSUMES VESA HOLE PATTERN IS CENTERED ON MONITOR	
EQUIPMENT	MAX SIZE DIMENSIONS
CPU	15"W x 12H x 4"D
*MONITOR	23"W x 13 1/2"H x 2 3/4"D
KEYBOARD/MOUSE AREA	22"W x 20"D

ALL DIMENSIONS ARE IN INCHES UNLESS NOTED OTHERWISE. DESIGN SUBJECT TO CHANGE WITH EQUIPMENT SPECIFICATIONS. ALL INFORMATION ON THIS DRAWING IS PROPRIETARY AND MAY NOT BE USED WITHOUT PERMISSION FROM PROXIMITY SYSTEMS, INC. © 2020.

OPTIONAL ACCESSORIES/PART NO. (NOT INCLUDED)	
1.	UVC-SURFACE MOUNT: UVC-SM-NA
2.	N/A
3.	N/A
R: A	SPECIFICATION DOCUMENT V2.0 4/6/2020



**COMPONENTS INCLUDED**

ITEM NO.	COMPONENTS
1	MOUSE CATCHER
2	WALL MOUNT RAIL SYSTEM
3	KEYBOARD TRAY
4	N/A
5	MONITOR BRACKET MOUNT

EXT283707B2NNRNNND



ALL DIMENSIONS ARE IN INCHES UNLESS NOTED OTHERWISE. DESIGN SUBJECT TO CHANGE WITH EQUIPMENT SPECIFICATIONS. ALL INFORMATION ON THIS DRAWING IS PROPRIETARY AND MAY NOT BE USED WITHOUT PERMISSION FROM PROXIMITY SYSTEMS, INC. © 2020.