


**CLOSED**

 WILD CHERRY  
EXT-6052-7054  
SHOWN

 29 1/2"  
749mm

**OPEN**

 45"  
1143mm

 14 1/8"  
359mm

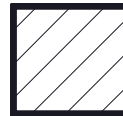
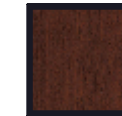
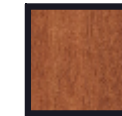
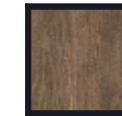
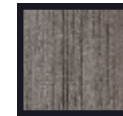
 4"  
102mm

 28 1/8"  
714mm

**STANDARD PART NUMBERS AND AVAILABLE COLORS\*\***

#60 FINISH STANDARD

FROSTY WHITE	FUSION MAPLE	PORTICO TEAK	RUSSET ALONA	WILD CHERRY	BRIGHTON WALNUT	OTHER COLORS CALL PROXIMITY
EXT-6052-1573	EXT-6052-7909	EXT-6052-8210	EXT-6052-Y0291	EXT-6052-7054	EXT-6052-7922	EXT-6052-9999



EXT284504B2NONNNND

**SPECIFICATIONS**

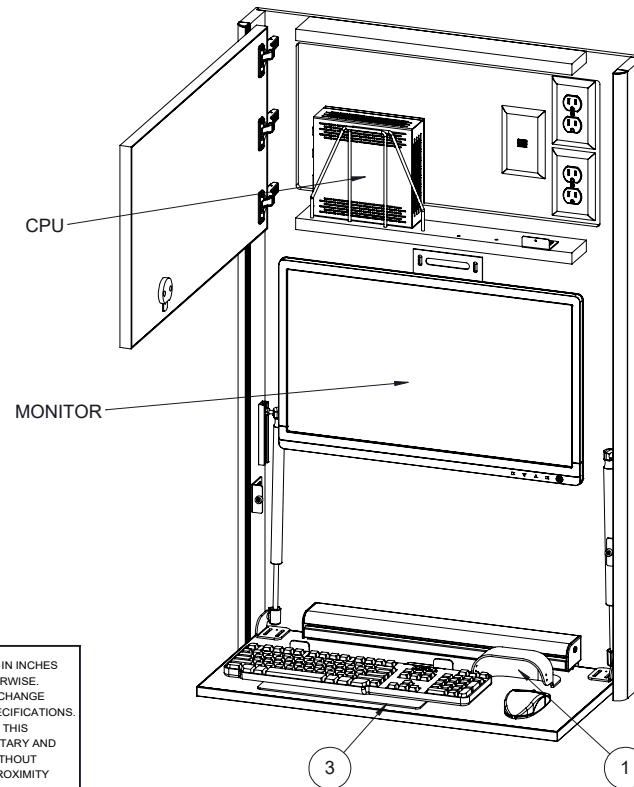
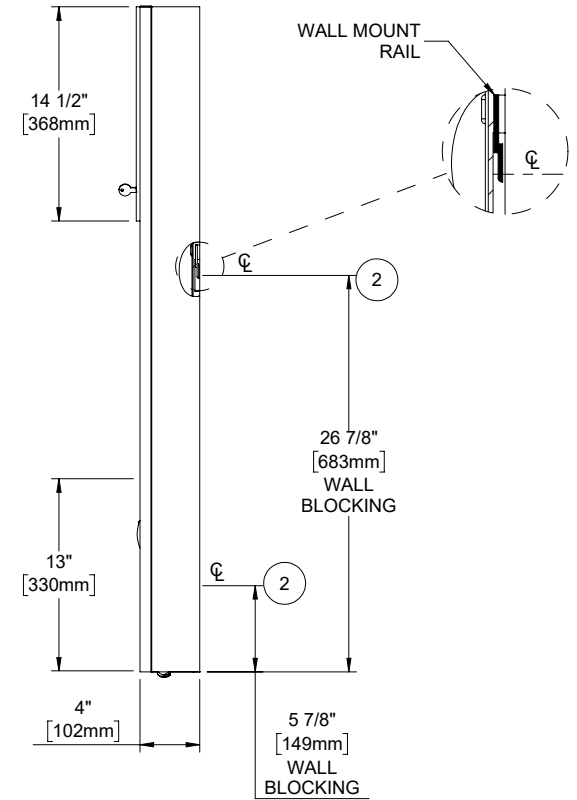
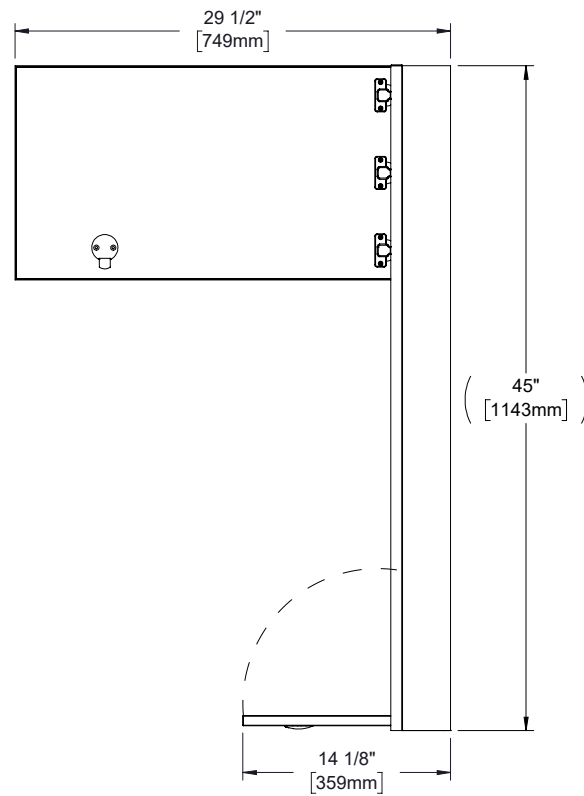
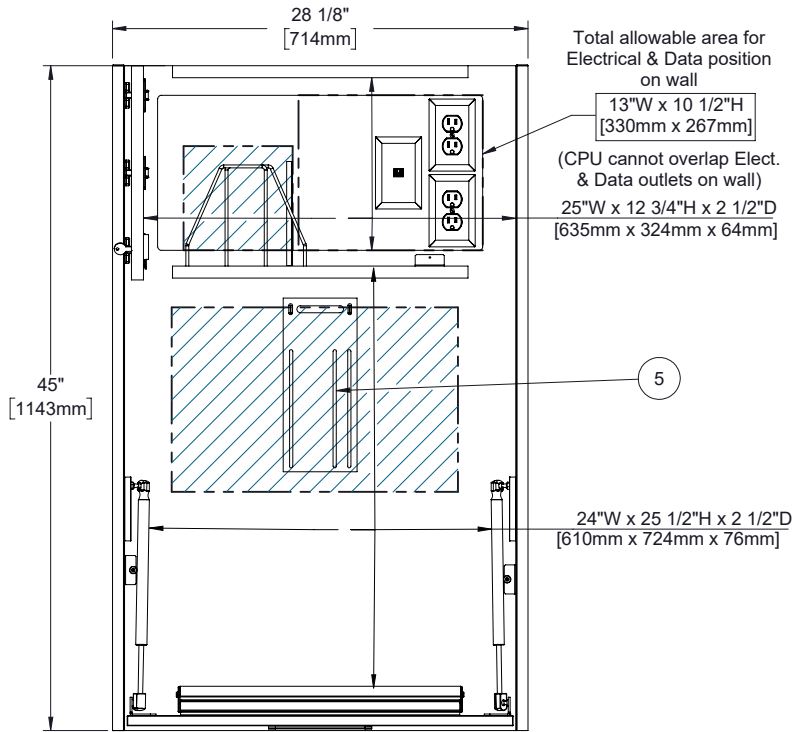
\*ASSUMES VESA HOLE PATTERN IS CENTERED ON MONITOR

EQUIPMENT	MAX SIZE DIMENSIONS
CPU	15"W x 11"H x 2 1/2"D
*MONITOR	23"W x 13"H x 2 1/2"D
KEYBOARD/MOUSE AREA	26"W x 20"D

ALL DIMENSIONS ARE IN INCHES UNLESS NOTED OTHERWISE. DESIGN SUBJECT TO CHANGE WITH EQUIPMENT SPECIFICATIONS. ALL INFORMATION ON THIS DRAWING IS PROPRIETARY AND MAY NOT BE USED WITHOUT PERMISSION FROM PROXIMITY SYSTEMS, INC. © 2020.

**OPTIONAL ACCESSORIES/PART NO. (NOT INCLUDED)**

1. N/A
2. N/A
3. N/A



COMPONENTS INCLUDED	
ITEM NO.	COMPONENTS
1	MOUSE CATCHER
2	WALL MOUNT RAIL SYSTEM
3	KEYBOARD TRAY
4	N/A
5	MONITOR BRACKET MOUNT
R: A	SHEET 2 OF 2

EXT284504B2NONNNND

**PROXIMITY**

WWW.PROXIMITYSYSTEMS.COM

TEL: 800-437-8111

ALL DIMENSIONS ARE IN INCHES UNLESS NOTED OTHERWISE. DESIGN SUBJECT TO CHANGE WITH EQUIPMENT SPECIFICATIONS. ALL INFORMATION ON THIS DRAWING IS PROPRIETARY AND MAY NOT BE USED WITHOUT PERMISSION FROM PROXIMITY SYSTEMS, INC. © 2020.