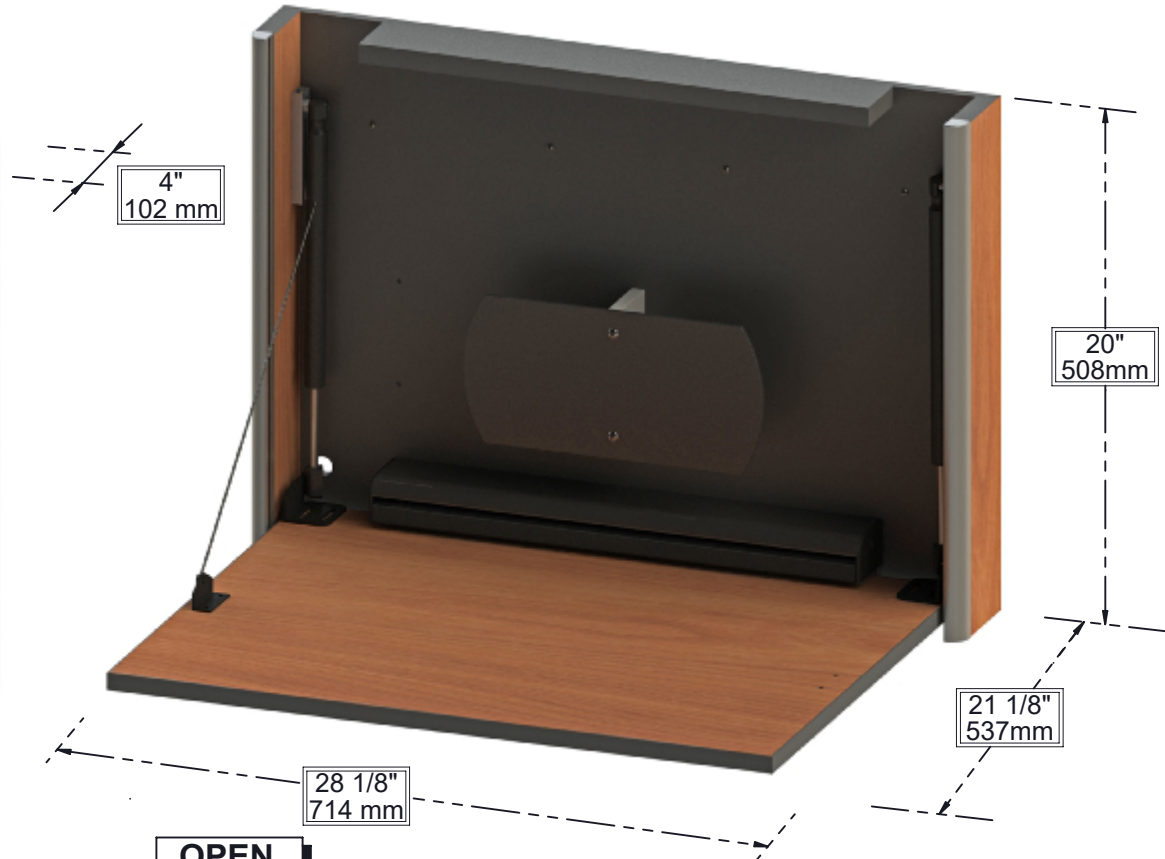
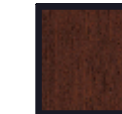
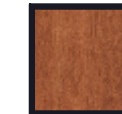
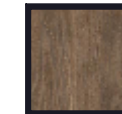
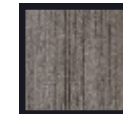



CLOSED

 WILD CHERRY
 EXD-6050-7054
 SHOWN

OPEN
STANDARD PART NUMBERS AND AVAILABLE COLORS**

#60 FINISH STANDARD

FROSTY WHITE	FUSION MAPLE	PORTICO TEAK	RUSSET ALONA	WILD CHERRY	BRIGHTON WALNUT	OTHER COLORS CALL PROXIMITY
EXD-6050-1573	EXD-6050-7909	EXD-6050-8210	EXD-6050-Y0291	EXD-6050-7054	EXD-6050-7922	EXD-6050-9999



EXD282004N1NNNNND

SPECIFICATIONS

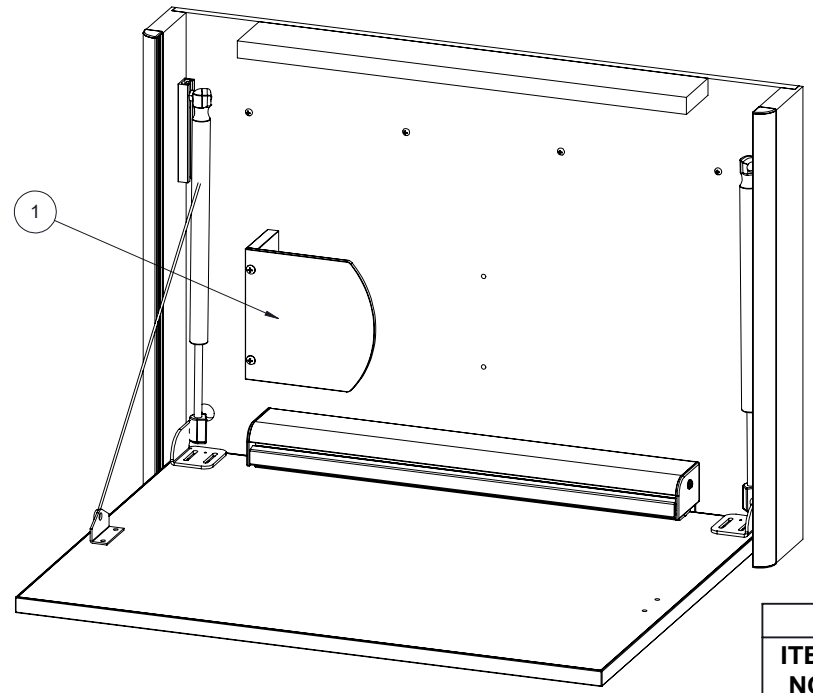
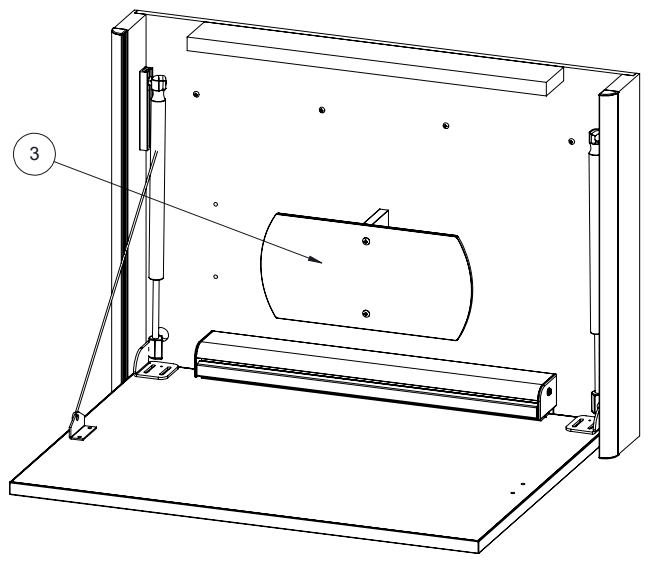
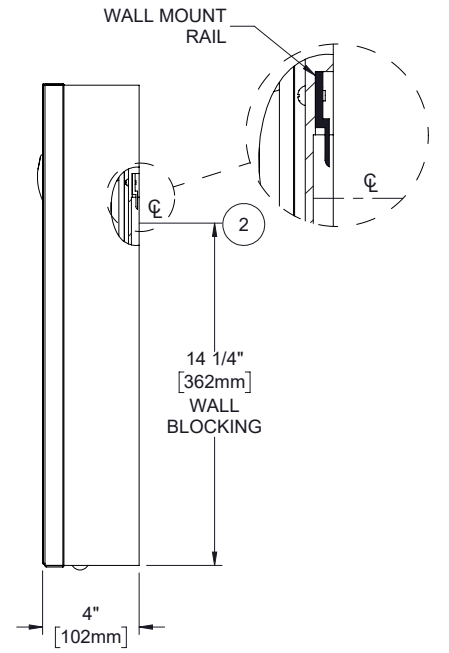
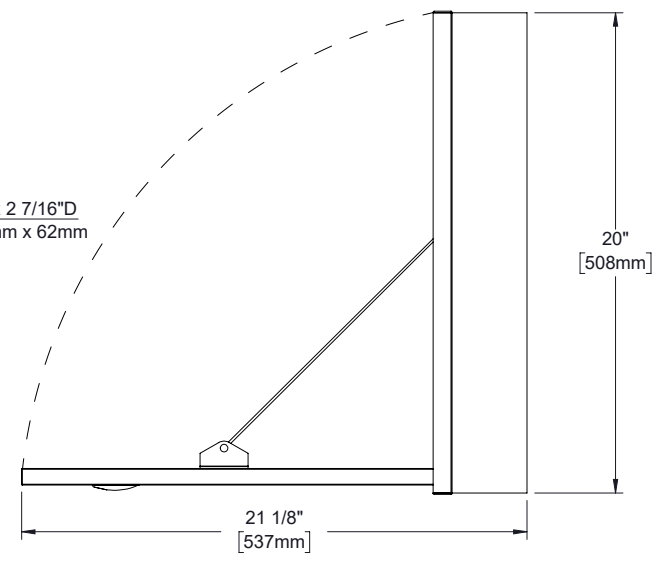
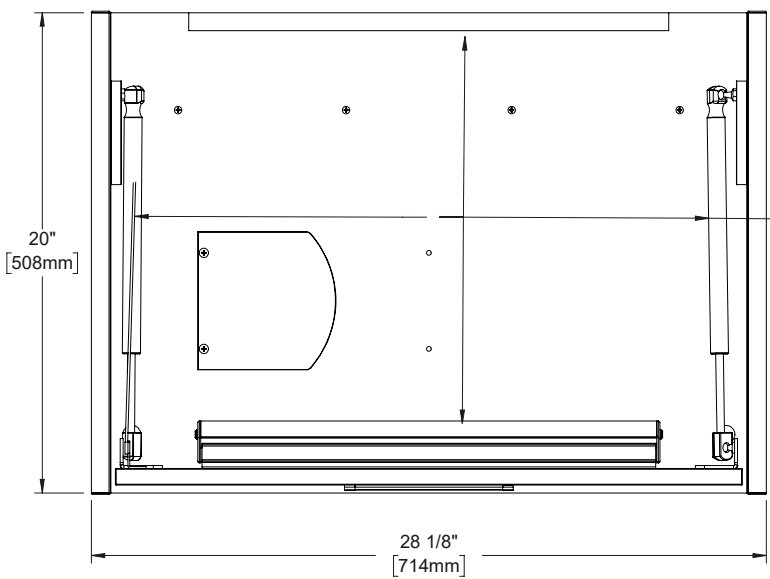
*ASSUMES VESA HOLE PATTERN IS CENTERED ON MONITOR

EQUIPMENT	MAX SIZE DIMENSIONS
T-1 CHART HOLDER	20 1/8"W x 16"H x 2 3/8"D
T-2 CHART HOLDER	2X - 11 3/4"W x 16"H x 2 3/8"D
WORK SURFACE	26"W x 20"D

ALL DIMENSIONS ARE IN INCHES UNLESS NOTED OTHERWISE. DESIGN SUBJECT TO CHANGE WITH EQUIPMENT SPECIFICATIONS. ALL INFORMATION ON THIS DRAWING IS PROPRIETARY AND MAY NOT BE USED WITHOUT PERMISSION FROM PROXIMITY SYSTEMS, INC. © 2020.

OPTIONAL ACCESSORIES/PART NO. (NOT INCLUDED)

1.	N/A
2.	N/A
3.	N/A



COMPONENTS INCLUDED	
ITEM NO.	COMPONENTS
1	T-1 CHART HOLDER
2	WALL MOUNT RAIL SYSTEM
3	T-2 CHART HOLDER
4	N/A
5	N/A
R: A	SHEET 2 OF 2

EXD282004N1NNNNND



ALL DIMENSIONS ARE IN INCHES UNLESS NOTED OTHERWISE. DESIGN SUBJECT TO CHANGE WITH EQUIPMENT SPECIFICATIONS. ALL INFORMATION ON THIS DRAWING IS PROPRIETARY AND MAY NOT BE USED WITHOUT PERMISSION FROM PROXIMITY SYSTEMS, INC. © 2020.