



CLOSED

WILD CHERRY
EXA-6061-7054
SHOWN

5 1/4"
133mm

24 1/2"
622mm



OPEN

22"
559mm

48 1/2"
1232mm

STANDARD PART NUMBERS AND AVAILABLE COLORS**

#60 FINISH STANDARD

FROSTY WHITE	FUSION MAPLE	PORTICO TEAK	RUSSET ALONA	WILD CHERRY	BRIGHTON WALNUT	OTHER COLORS CALL PROXIMITY
EXA-6061-1573	EXA-6061-7909	EXA-6061-8210	EXA-6061-Y0291	EXA-6061-7054	EXA-6061-7922	EXA-6061-9999

EXA224905N1NNNNND82



SPECIFICATIONS

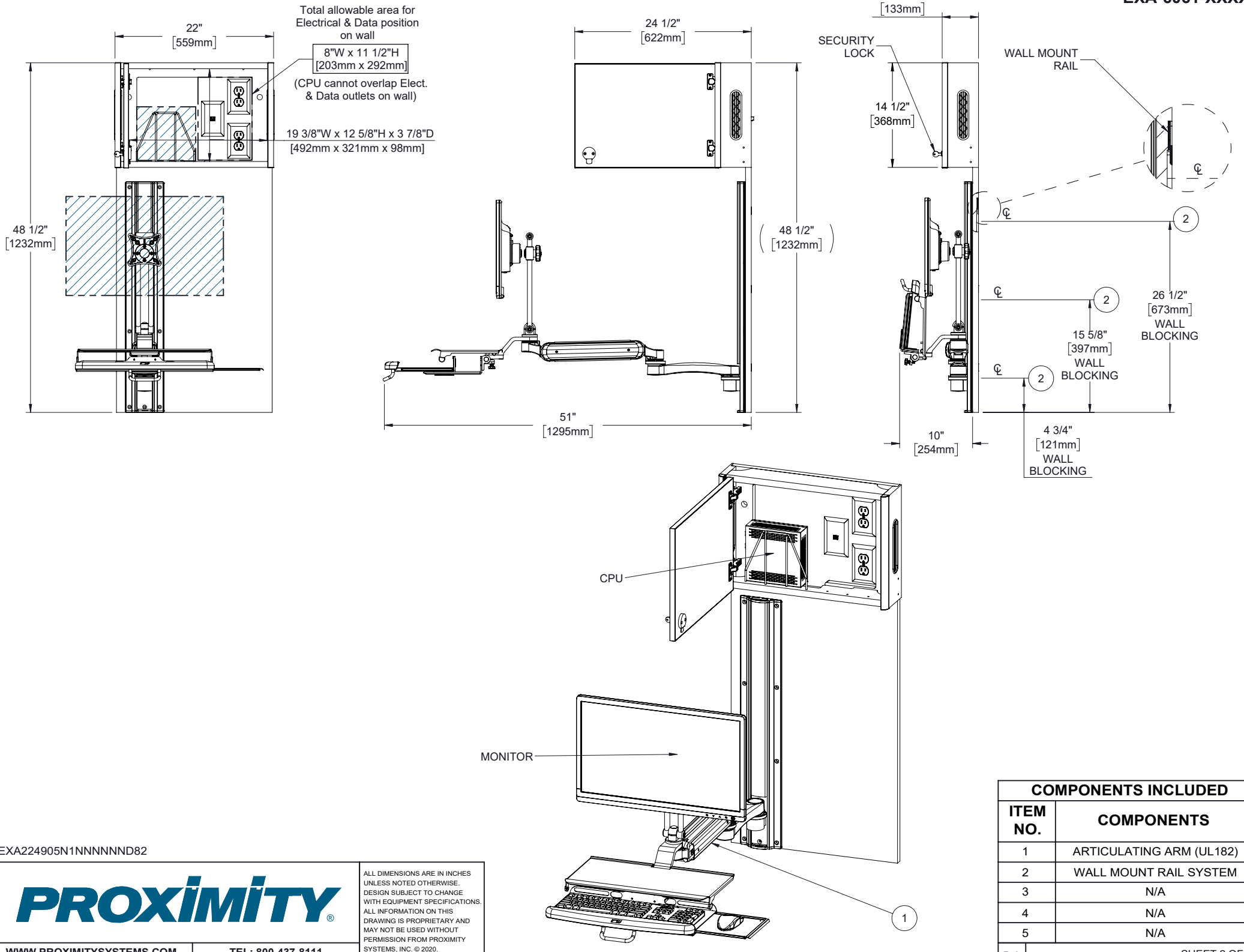
*ASSUMES VESA HOLE PATTERN IS CENTERED ON MONITOR

EQUIPMENT	MAX SIZE DIMENSIONS
CPU	10"W x 12"H x 2"D
*MONITOR	23"W x 15"H x 3"D
KEYBOARD/MOUSE AREA	N/A

ALL DIMENSIONS ARE IN INCHES UNLESS NOTED OTHERWISE. DESIGN SUBJECT TO CHANGE WITH EQUIPMENT SPECIFICATIONS. ALL INFORMATION ON THIS DRAWING IS PROPRIETARY AND MAY NOT BE USED WITHOUT PERMISSION FROM PROXIMITY SYSTEMS, INC. © 2020.

OPTIONAL ACCESSORIES/PART NO. (NOT INCLUDED)

1.	SCANNER BRACKET: AC-SCNR-BRK
2.	UVC SURFACE MOUNT: UVC-SM-NA
3.	N/A



Total allowable area for Electrical & Data position on wall

8"W x 11 1/2"H [203mm x 292mm]

(CPU cannot overlap Elect. & Data outlets on wall)

19 3/8"W x 12 5/8"H x 3 7/8"D [492mm x 321mm x 98mm]

COMPONENTS INCLUDED	
ITEM NO.	COMPONENTS
1	ARTICULATING ARM (UL182)
2	WALL MOUNT RAIL SYSTEM
3	N/A
4	N/A
5	N/A

EXA224905N1NNNNND82



ALL DIMENSIONS ARE IN INCHES UNLESS NOTED OTHERWISE. DESIGN SUBJECT TO CHANGE WITH EQUIPMENT SPECIFICATIONS. ALL INFORMATION ON THIS DRAWING IS PROPRIETARY AND MAY NOT BE USED WITHOUT PERMISSION FROM PROXIMITY SYSTEMS, INC. © 2020.