



**OPEN**

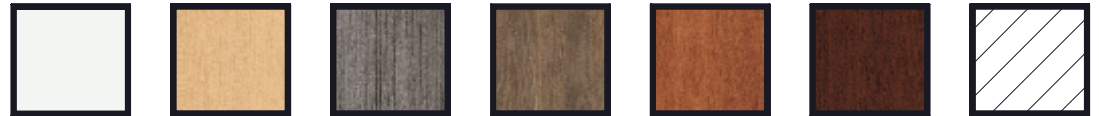
**CLOSED**

WILD CHERRY  
CXT-6036-7054  
SHOWN

**STANDARD PART NUMBERS AND AVAILABLE COLORS\*\***

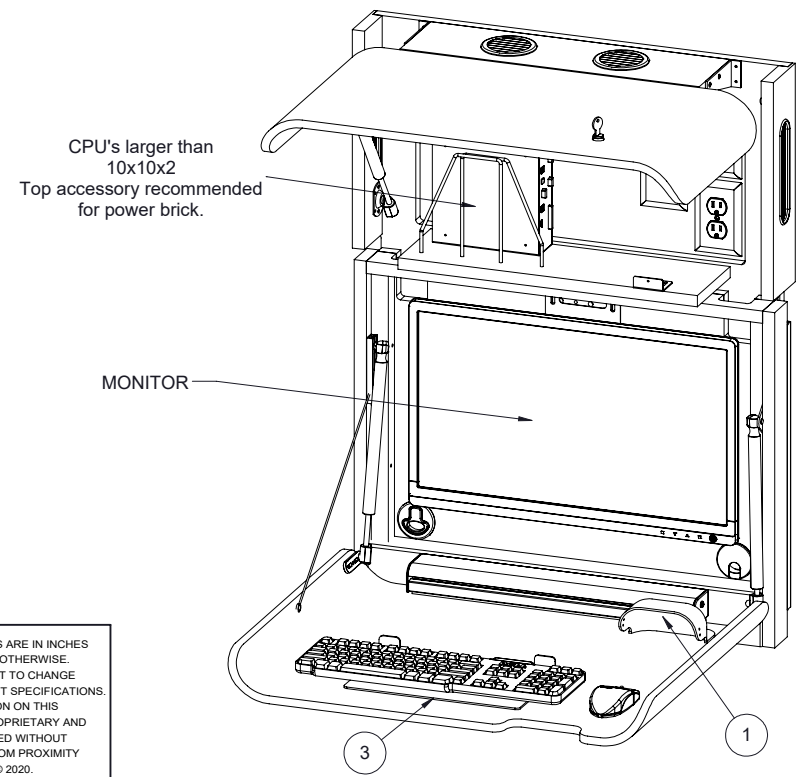
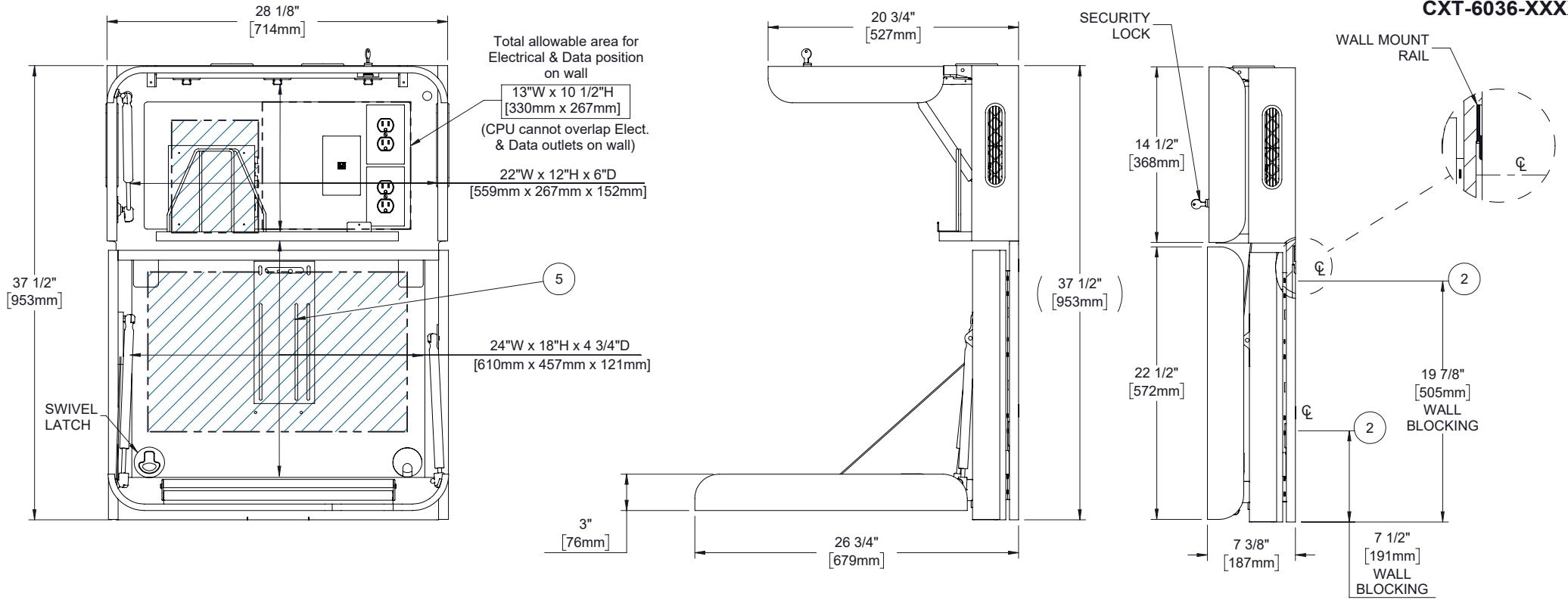
#60 FINISH STANDARD

FROSTY WHITE CXT-6036-1573	FUSION MAPLE CXT-6036-7909	PORTICO TEAK CXT-6036-8210	RUSSET ALONA CXT-6036-Y0291	WILD CHERRY CXT-6036-7054	BRIGHTON WALNUT CXT-6036-7922	OTHER COLORS CALL PROXIMITY CXT-6036-9999
-------------------------------	-------------------------------	-------------------------------	--------------------------------	------------------------------	----------------------------------	-------------------------------------------------



CXT283807B2NNRNNND

	<b>SPECIFICATIONS</b>		<small>ALL DIMENSIONS ARE IN INCHES UNLESS NOTED OTHERWISE. DESIGN SUBJECT TO CHANGE WITH EQUIPMENT SPECIFICATIONS. ALL INFORMATION ON THIS DRAWING IS PROPRIETARY AND MAY NOT BE USED WITHOUT PERMISSION FROM PROXIMITY SYSTEMS, INC. © 2020.</small>	<b>OPTIONAL ACCESSORIES/PART NO. (NOT INCLUDED)</b>	
	<small>*ASSUMES VESA HOLE PATTERN IS CENTERED ON MONITOR</small>			1. SLOPED CABINET TOP: AC-CTOP-7-XXXX	
	<b>EQUIPMENT</b>	<b>MAX SIZE DIMENSIONS</b>		2. UVC SURFACE MOUNT: UVC-SM-NA	
	CPU	15"W x 12H x 4"D		3. N/A	
*MONITOR	23"W x 13 1/2"H x 2 3/4"D	R: A	SPECIFICATION DOCUMENT V2.0 4/6/2020		
KEYBOARD/MOUSE AREA	22"W x 20"D	WWW.PROXIMITYSYSTEMS.COM		TEL: 800-437-8111	SHEET 1 OF 2



COMPONENTS INCLUDED	
ITEM NO.	COMPONENTS
1	MOUSE CATCHER
2	WALL MOUNT RAIL SYSTEM
3	KEYBOARD TRAY
4	N/A
5	MONITOR BRACKET MOUNT
R: A	SHEET 2 OF 2

CXT283807B2NNRNNND



ALL DIMENSIONS ARE IN INCHES UNLESS NOTED OTHERWISE. DESIGN SUBJECT TO CHANGE WITH EQUIPMENT SPECIFICATIONS. ALL INFORMATION ON THIS DRAWING IS PROPRIETARY AND MAY NOT BE USED WITHOUT PERMISSION FROM PROXIMITY SYSTEMS, INC. © 2020.