



## IMPROVE YOUR INFECTION CONTROL REGIMEN WITHOUT LOSING FOCUS ON PATIENT CARE.

UV-CLEAN by Proximity is your ultimate guard against the spread of infectious pathogens, eliminating 99.9%\* of pathogens on high touch surfaces. Our automated chemical-free disinfecting technology is your second line of defense against the spread of infectious microorganisms.

The UV-CLEAN Retrofit (UVC-RF) is designed to easily attach to your existing Proximity wall mounted workstations. The UVC-RF device comes pre-assembled with simple, industrial two-sided tape to adhere to any shelf surface. Automated cleaning cycles with low doses of UV-C light is harmful for pathogens, yet safe for you. Although hand washing policies should be your first layer of defense, UVC-RF will provide an additional level of disinfection to all high-touch surfaces.

### How Does It Work?

- Germicidal UV-C light is dispensed at low levels
- Microorganisms absorb the UV-C wavelength
- DNA of infection-causing pathogens are broken
- Pathogens are disabled, stopping them from reproducing and spreading

### How do I Know if It is Cleaning Consistently?

Simply download the cycle reports from each individual device to confirm cleaning. Every unit includes a USB cable that allows you to connect the UVC-RF device to a PC. Easily access the built-in audit trail that resides locally on each device, eliminating any network security issues.



**UV-CLEAN IS JUST WHAT THE DOCTOR ORDERED.**

Schedule a consultation today. [1.800.437.8111](tel:1.800.437.8111)

\*Reference: *Ultraviolet Germicidal Irradiation Handbook* by Wladyslaw Kowalski.

# Retrofit

## UVC-RF



UV-CLEAN

### COVERAGE AREA

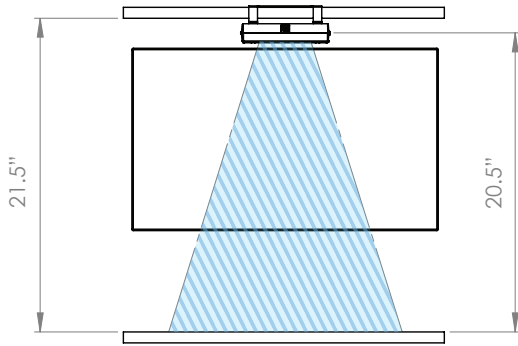


0° Rotation  
Coverage Area

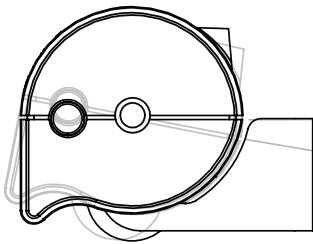


15° Max Rotation  
Coverage Area

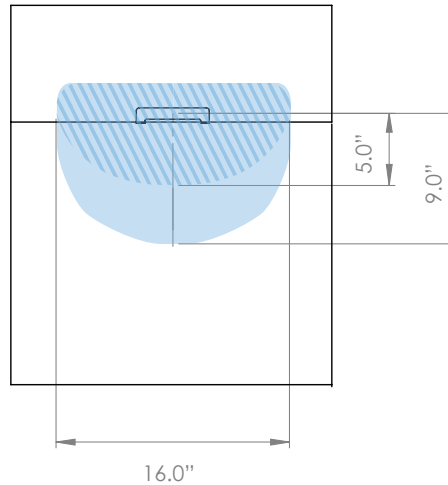
(shown from front)



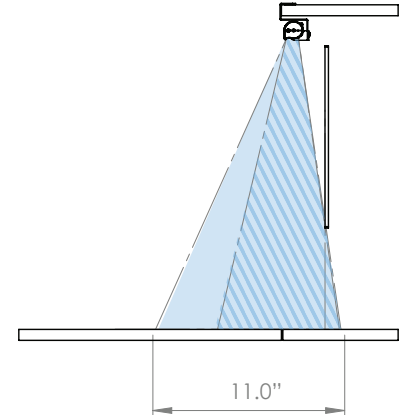
rotational adjustment for tilt



(shown from top)



(shown from side)



## Proactive, Next-Generation High Touch Surface Disinfectant

With UV-CLEAN, you can set up a strong line of defense against the spread of infectious microorganisms on high-touch surfaces or objects. Gain the upper hand in the battle against germs.

### PRODUCT DETAILS

- Automated and customizable cleaning cycle
- Motion activated for safe deployment of UV-C light
- 24" active cleaning area range
- Internal memory and built-in audit trail
- Flexible workspace configurations
- Sleek and stylish design  
6" length x 1" diameter
- Affordable, scalable investment
- Independent low energy LED task light
- Two-year warranty

### MATERIAL OVERVIEW

- 100% recyclable UV stable plastic
- UV-C bulb
- 12" micro USB to USB wire included
- 5.5 mm power port connection to USB or supplied power adapter
  - North America: UVC-RF-NA
  - International: UVC-RF-UP

### KEY FEATURES

- Attaches to any existing wall mounted computer workstation and Proximity wall cabinets
- Optimizes day-to-day workflow with an automatic means of self-disinfection
- Low cost of ownership to implement device that won't impact efficiency