



Clamp Mount

UVC-CM

IMPROVE YOUR INFECTION CONTROL REGIMEN WITHOUT LOSING FOCUS ON PATIENT CARE.

UV-CLEAN by Proximity is your ultimate guard against the spread of infectious pathogens, eliminating 99.9%* of pathogens on high touch surfaces. Our automated chemical-free disinfecting technology is your second line of defense against the spread of infectious microorganisms.

The UV-CLEAN Clamp Mount (UVC-CM) is designed to attach under a monitor to provide additional disinfection to the entire work-surface below. Automated cleaning cycles with low doses of UV-C light is harmful for pathogens, yet safe for you. Although hand washing policies should be your first layer of defense, UVC-CM will provide an additional level of disinfection to all high-touch surfaces.

How Does It Work?

- Germicidal UV-C light is dispensed at low levels
- Microorganisms absorb the UV-C wavelength
- DNA of infection-causing pathogens are broken
- Pathogens are disabled, stopping them from reproducing and spreading

How do I Know if It is Cleaning Consistently?

Simply download the cycle reports from each individual device to confirm cleaning. Every unit includes a USB cable that allows you to connect the UVC-CM device to a PC. Easily access the built-in audit trail that resides locally on each device, eliminating any network security issues.



UV-CLEAN IS JUST WHAT THE DOCTOR ORDERED.

Schedule a consultation today. [1.800.437.8111](tel:1.800.437.8111)

*Reference: *Ultraviolet Germicidal Irradiation Handbook* by Wladyslaw Kowalski.

Clamp Mount

UVC-CM



UV-CLEAN

COVERAGE AREA

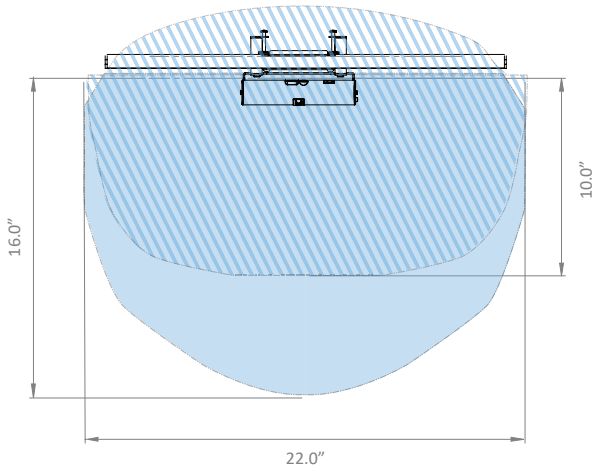


0° Rotation
Coverage Area

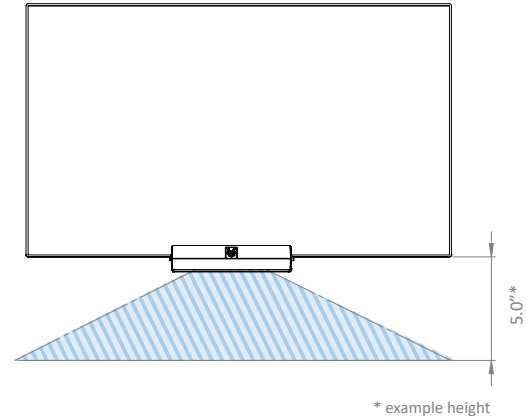


15° Max Rotation
Coverage Area

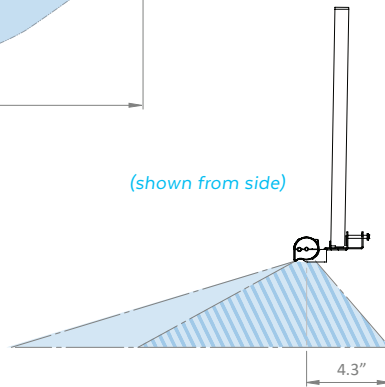
(shown from above)



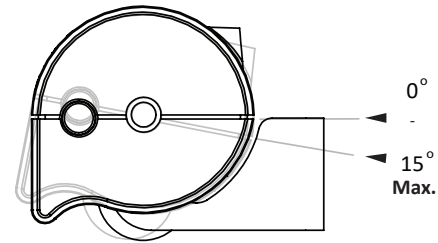
(shown from front)



(shown from side)



rotational adjustment for tilt



Proactive, Next-Generation High Touch Surface Disinfectant

With UV-CLEAN, you can set up a strong line of defense against the spread of infectious microorganisms on high-touch surfaces or objects. Gain the upper hand in the battle against germs.

PRODUCT DETAILS

- Automated and customizable cleaning cycle
- Motion activated for safe deployment of UV-C light
- 24" active cleaning area range
- Internal memory and built-in audit trail
- Flexible workspace configurations
- Sleek and stylish design
6" length x 1" diameter
- Affordable, scalable investment
- Independent low energy LED task light
- Two-year warranty

MATERIAL OVERVIEW

- 100% recyclable UV stable plastic
- UV-C bulb
- 12" micro USB to USB wire included
- 5.5 mm power port connection to USB or supplied power adapter
 - North America: UVC-CM-NA
 - International: UVC-CM-UP

KEY FEATURES

- Clamps on underneath monitors to disinfect work station below
- Attaches to portable carts
- Optimizes day-to-day workflow with an automatic means of self-disinfection
- Low cost of ownership to implement device that won't impact efficiency