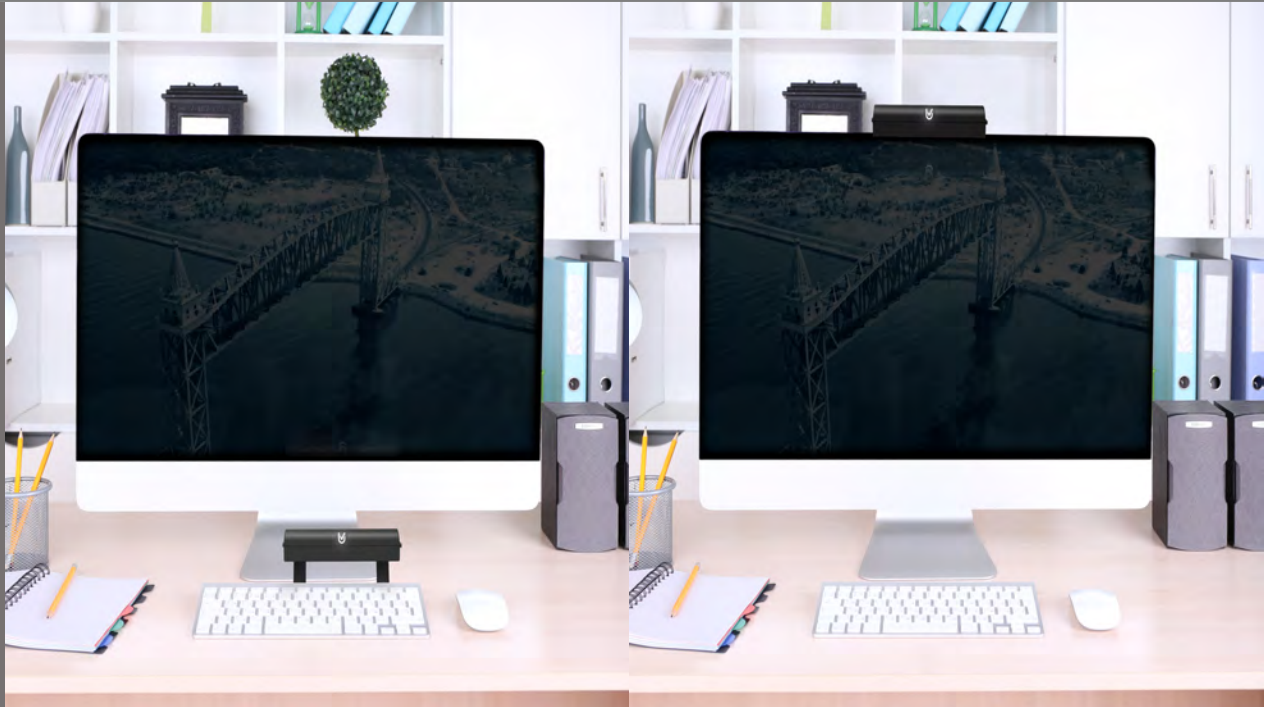


CAPABILITIES

Automated & customizable cleaning cycles

Motion-sensor activation

Audit capabilities with reports



Enhance your infection control regiment while your caregivers are concentrating on their patients.

When is the last time you cleaned your keyboard surface? If you are like most of us, you probably cannot remember. Our UV-Clean surface mount (UVC-SM) is designed to be used as a free-standing unit or easily remove the stand and attach to the top of any monitor bezel. The UVC-SM device comes pre assembled for a quick and simple install. Regular cleaning cycles with low doses of UV-C light are harmful to pathogens, yet safe for you. Although hand washing policies should be your first layer of defense, the UVC-SM will provide an additional level of disinfection to any keyboard or touch screen surface.

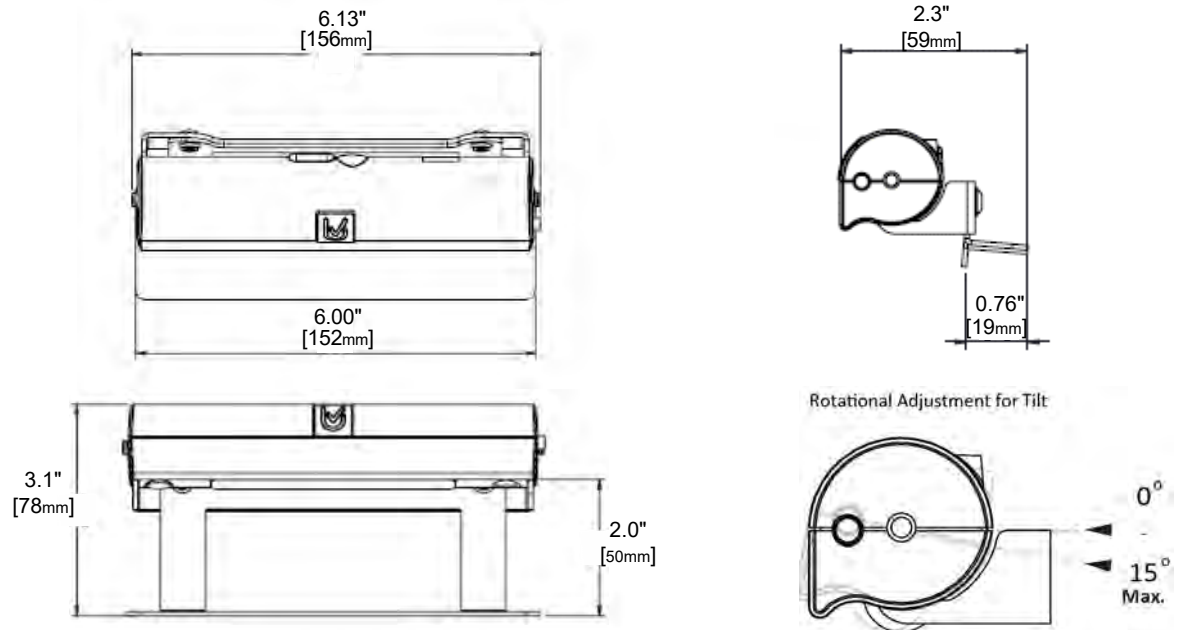
HOW DOES IT WORK?

UV-C light is dispensed at timed intervals with low levels up to 24" away, to break down the DNA of organisms on high-touch surfaces. UVC-SM is equipped with automated cleaning cycles, and a motion sensor. As soon as motion is detected, it will discontinue its cycle and then resume cleaning immediately after no motion is detected.

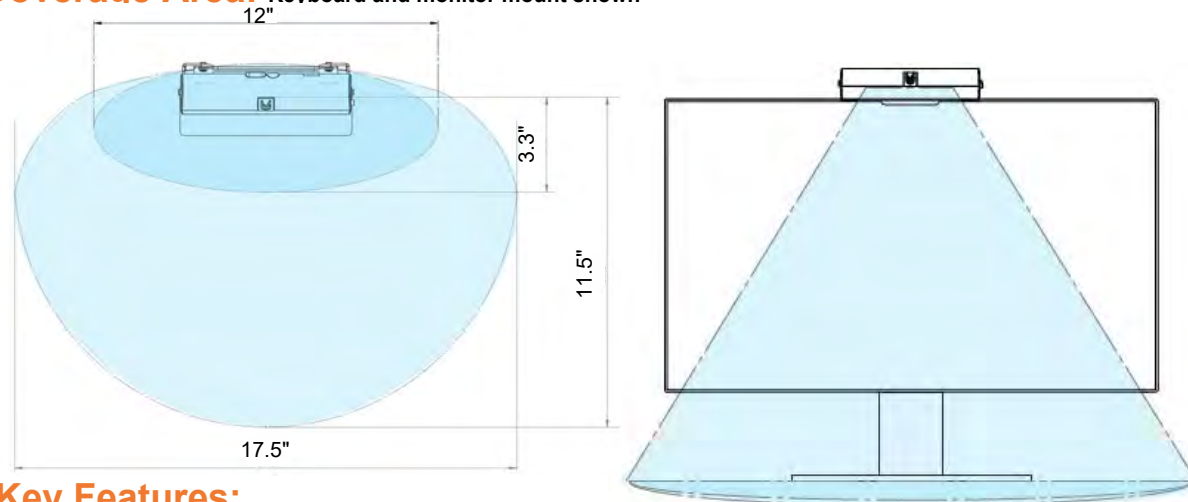
HOW DO I KNOW IF ITS CLEANING CONSISTANTLY?

Every unit includes a USB cable that will allow you to connect the UVC-SM device to a PC for easy download of its audit trail. All audit trails reside locally on each device, eliminating any network security issues. Simply download the cycle reports from each individual device to confirm cleaning.

Measurements: Keyboard and monitor mount shown



Coverage Area: Keyboard and monitor mount shown



Key Features:

- Sits conveniently over your keyboard surface and automatically begins cleaning cycles.
- Easily remove the stand and attach to the top of any monitor bezel.
- Optimizing day to day work flow with an automatic means of self disinfection.
- Low cost of ownership to implement device that wont impact efficiency.
- A solution that will protect staff as well as patients.
- No manual check sheets to track cleaning.

MATERIAL

100% recyclable UV stable plastic

15-gauge powder-coated steel

UV-C bulb and 5.5 mm power port connection to USB or supplied power adapter

Low energy LED task light

RESULTS

Breaks down microorganisms up to 24" away

Kills 99.9% of pathogens on high-touch surfaces

CONTACT US

For more information on any of our products or services please contact us at:
Sales@proximitysystems.com
 Call: 800-437-8111