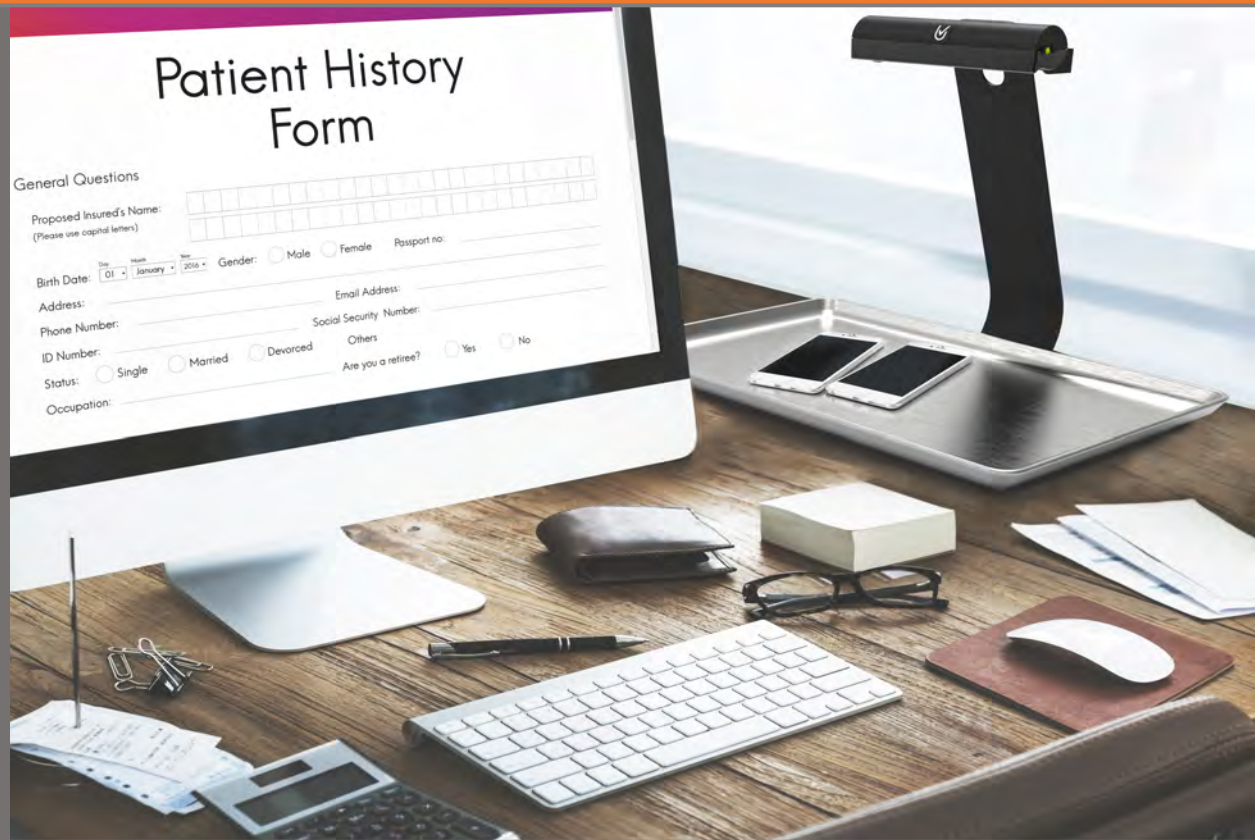


CAPABILITIES

Automated & customizable cleaning cycles

Motion-sensor activation

Audit capabilities with reports



Enhance your infection control regiment while your caregivers are concentrating on their patients.

So many mobile devices are being used in our world today, but how often are you cleaning these devices? Our UV-Clean stand-alone (UVC-SA) unit is designed to allow you to place small portable tablets and cell phones in the stainless-steel tray for quick and easy way to ensure your devices are disinfected. The UVC-SA will require minimal assembly as you will need to attach the head unit to the stand. With high touch items such as these, a regular cleaning with low doses of UV-C light will help to eliminate the transfer of harmful pathogens. Although hand washing policies should be your first layer of defense, the UVC-SA will provide an additional level of disinfection to smaller mobile devices. Simply place your mobile devices in our stainless-steel tray and walk away.

HOW DOES IT WORK?

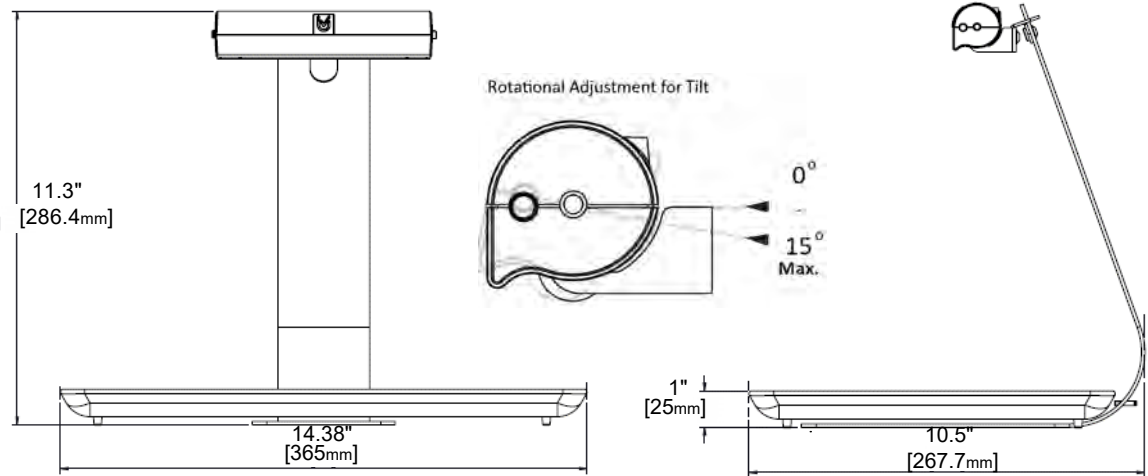
UV-C light is dispensed at timed intervals with low levels up to 24" away, to break down the DNA of organisms on high-touch surfaces. UVC-SA is equipped with automated cleaning cycles, and a motion sensor. As soon as motion is detected, it will discontinue its cycle and then resume cleaning immediately after no motion is detected.

HOW DO I KNOW IF ITS CLEANING CONSISTANTLY?

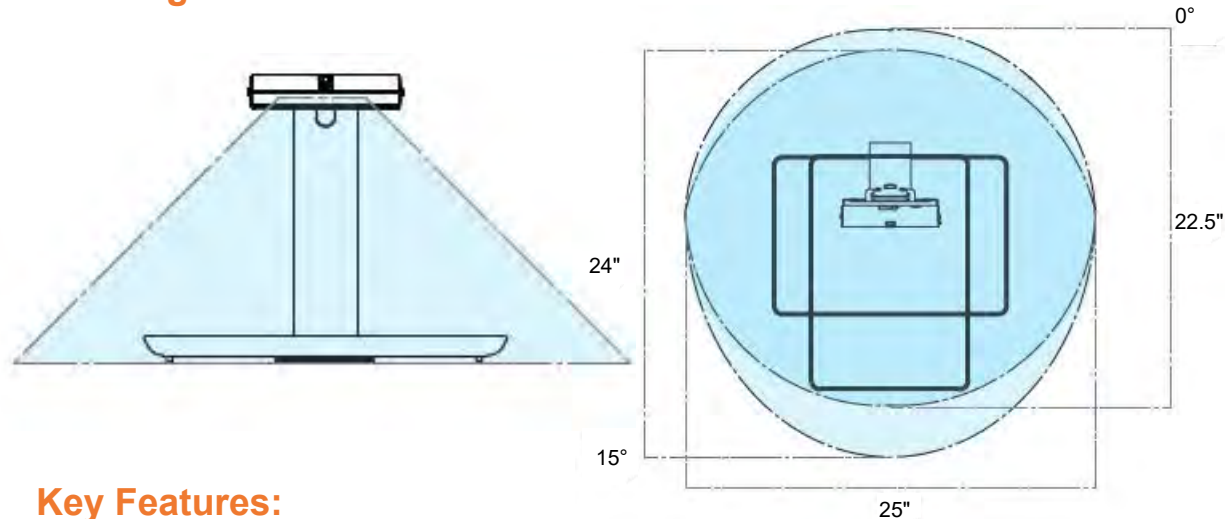
Every unit includes a USB cable that will allow you to connect the UVC-SA device to a PC for easy download of its audit trail. All audit trails reside locally on each device, eliminating any network security issues. Simply download the cycle reports from each individual device to confirm cleaning.

Model: UVC-SA

Measurements:



Coverage Area:



Key Features:

- Simply place your mobile devices in our stainless-steel tray and walk away.
- Convenient area to place your devices for quick yet effective ultraviolet disinfection.
- Optimizing day to day work flow with an automatic means of self disinfection.
- Cable management within stand to conceal power cable.
- Low cost of ownership to implement device that wont impact efficiency.
- A solution that will protect staff as well as patients.
- No manual check sheets to track cleaning.

MATERIAL

100% recyclable UV stable plastic

15-gauge powder-coated steel

UV-C bulb and 5.5 mm power port connection to USB or supplied power adapter

Low energy LED task light

RESULTS

Breaks down microorganisms up to 24" away

Kills 99.9% of pathogens on high-touch surfaces

CONTACT US

For more information on any of our products or services please contact us at: Sales@proximitysystems.com

Call: 800-437-8111