

UV-Clean Clamp Mount

CAPABILITIES

Automated & customizable cleaning cycles

Motion-sensor activation

Audit capabilities with reports



Enhance your infection control regiment while your caregivers are concentrating on their patients.

Our UV-Clean clamp mount (UVC-CM) is designed to attach under a monitor to provide additional disinfection to the entire work-surface below. Automated cleaning cycles with low doses of UV-C light is harmful for pathogens, yet safe for you. Although hand washing policies should be your first layer of defense, the UVC-CM will provide an additional level of disinfection to all high-touch surfaces.

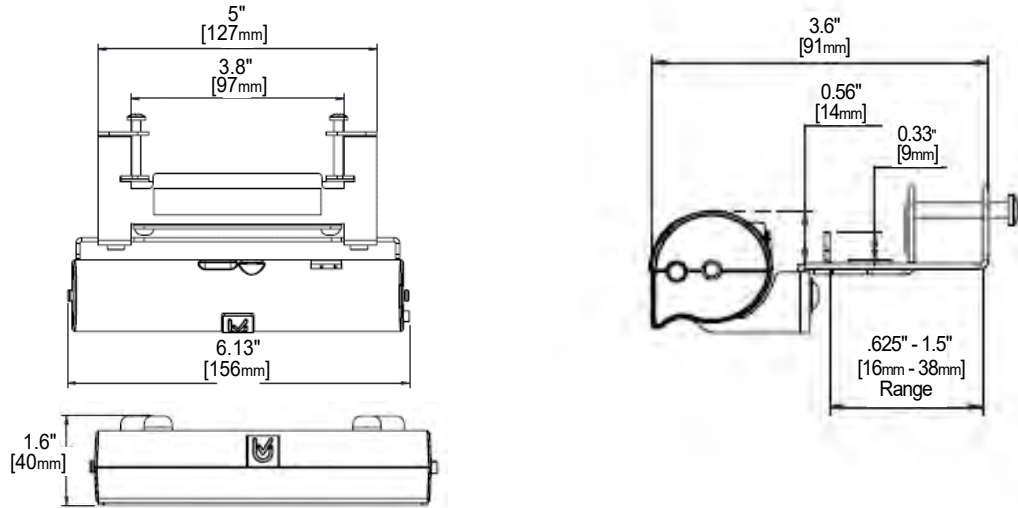
HOW DOES IT WORK?

UV-C light is dispensed at timed intervals with low levels up to 24" away, to break down the DNA of organisms on high-touch surfaces. UVC-CM is equipped with automated cleaning cycles, and a motion sensor. As soon as motion is detected, it will discontinue its cycle and then resume cleaning immediately after no motion is detected.

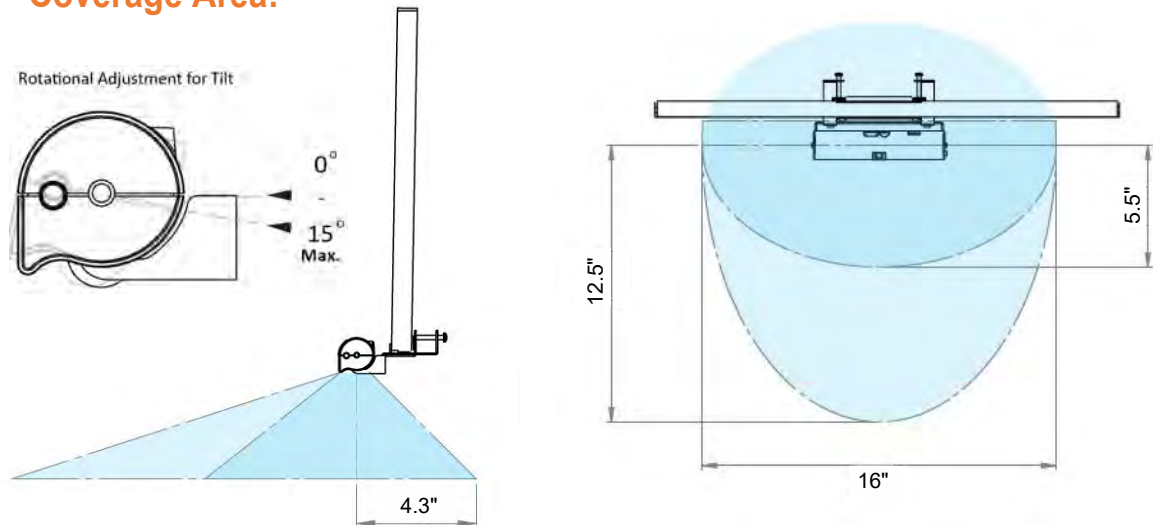
HOW DO I KNOW IF IT'S CLEANING CONSISTANTLY?

Every unit includes a USB cable that will allow you to connect the UVC-CM device to a PC for easy download of its audit trail. All audit trails reside locally on each device, eliminating any network security issues. Simply download the cycle reports from each individual device to confirm cleaning.

Measurements:



Coverage Area:



Key Features:

- Clamps on underneath a monitor to disinfect work station below
- Attach to portable carts and know that high touch surfaces are being disinfected
- The "no-touch" technology reduces pathogens that cause HAI's for both patient and staff
- Optimizing day to day work flow with an automatic means of self-disinfection
- Low cost of ownership to implement device that won't impact efficiency
- A solution that will protect staff as well as patients

MATERIAL

100% recyclable UV stable plastic

15-gauge powder-coated steel

UV-C bulb and 5.5 mm power port connection to USB or supplied power adapter

Low energy LED task light

RESULTS

Breaks down microorganisms up to 24" away

Kills 99.9% of pathogens on high-touch surfaces

CONTACT US

For more information on any of our products or services please contact us at:
Sales@proximitysystems.com

Call: 800-437-8111