


CLOSED

 WILD CHERRY
 EXT-6025-7054
 SHOWN

OPEN
STANDARD PART NUMBERS AND AVAILABLE COLORS**

FROSTY WHITE EXT-6025-1573	FUSION MAPLE EXT-6025-7909	BANNISTER OAK EXT-6025-7806	FONTHILL PEAR EXT-6025-10745	WILD CHERRY EXT-6025-7054	BRIGHTON WALNUT EXT-6025-7922	OTHER COLORS CALL PROXIMITY EXT-6025-9999

EXT284909B3NNNFND

SPECIFICATIONS

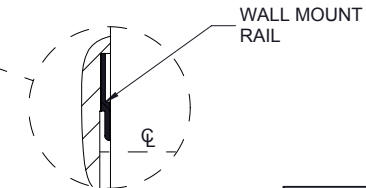
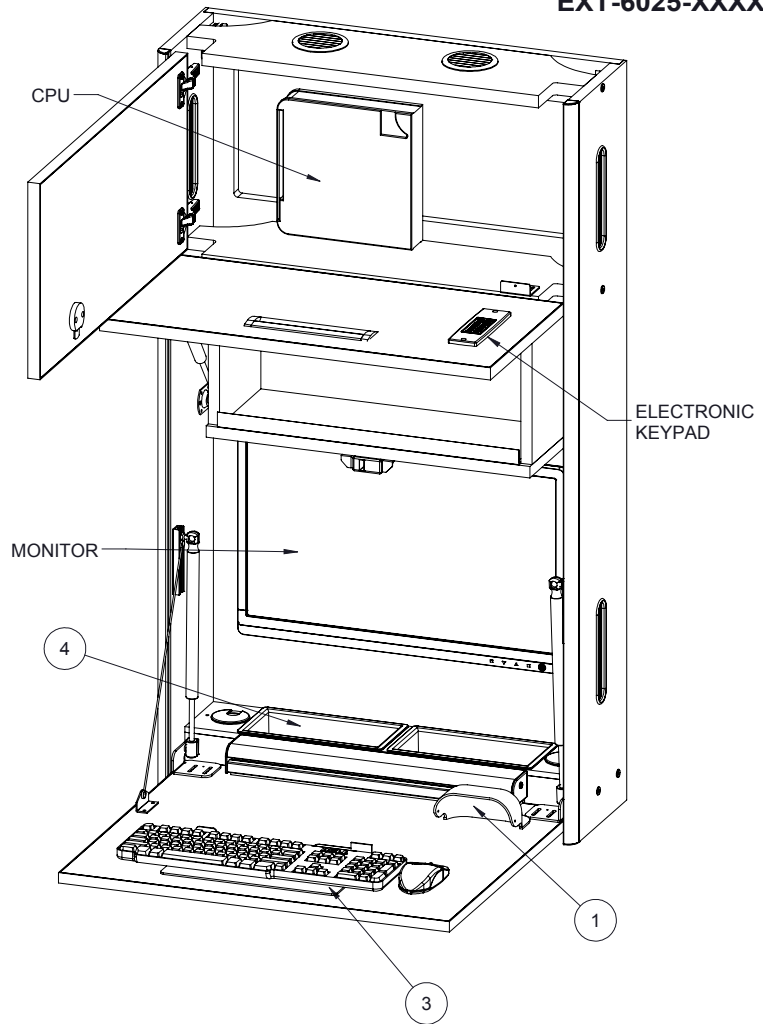
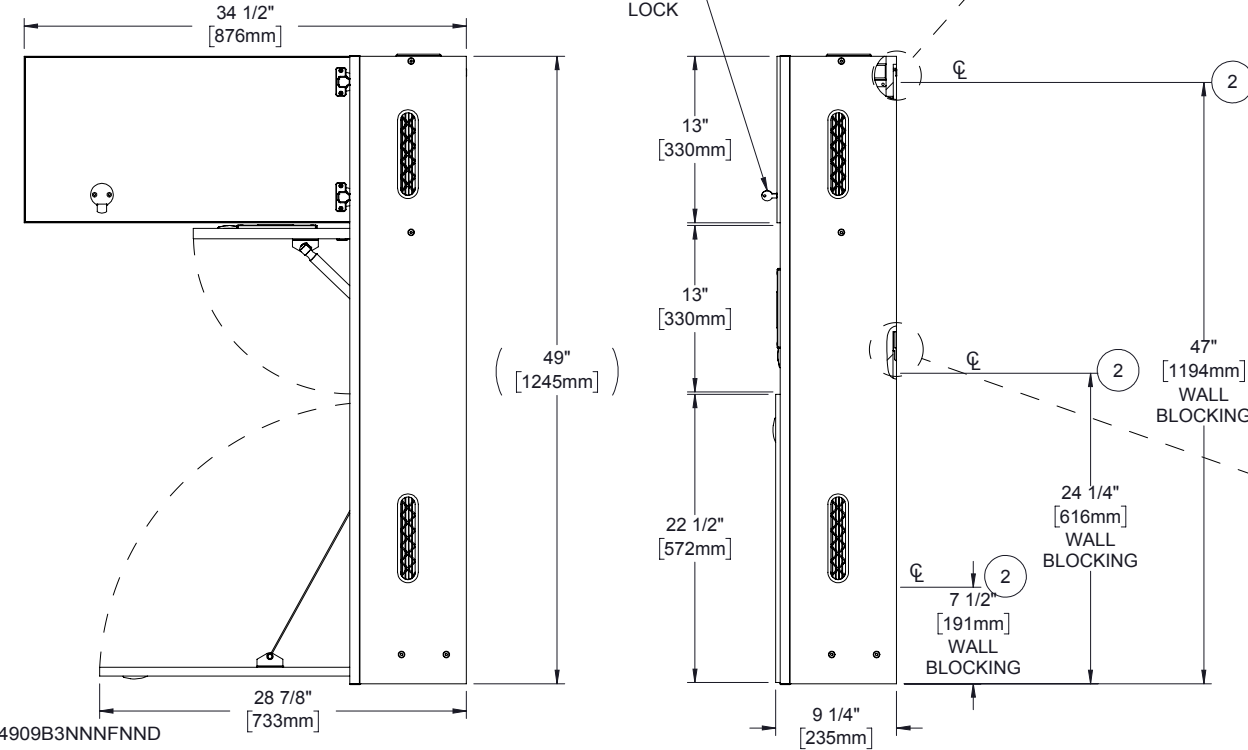
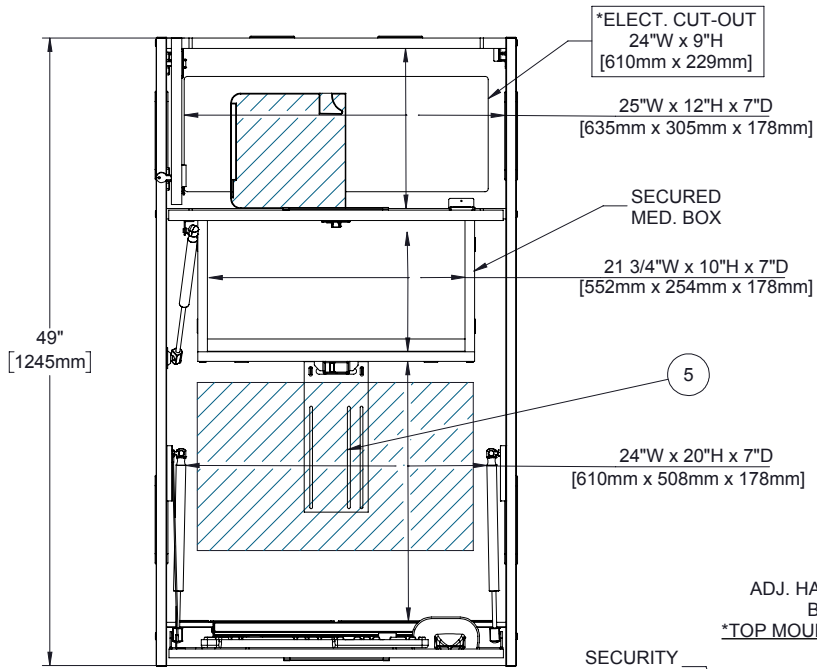
*ASSUMES VESA HOLE PATTERN IS CENTERED ON MONITOR

EQUIPMENT	MAX SIZE DIMENSIONS
CPU	24"W x 12"H x 7"D
*MONITOR	24"W x 15"H x 3"D
KEYBOARD/MOUSE AREA	26"W x 20"D

ALL DIMENSIONS ARE IN INCHES UNLESS NOTED OTHERWISE. DESIGN SUBJECT TO CHANGE WITH EQUIPMENT SPECIFICATIONS. ALL INFORMATION ON THIS DRAWING IS PROPRIETARY AND MAY NOT BE USED WITHOUT PERMISSION FROM PROXIMITY SYSTEMS, INC. © 2017.

OPTIONAL ACCESSORIES/PART NO. (NOT INCLUDED)

- MONITOR ARM: AC-ARM
- MONITOR PIVOT: AC-PIVOT
- COVER FOR RECESSED STORAGE: AC-CNTR-CVR
- LED LIGHT: AC-LED-LGHT



COMPONENTS INCLUDED	
ITEM NO.	COMPONENTS
1	MOUSE CATCHER
2	WALL MOUNT RAIL SYSTEM
3	KEYBOARD TRAY
4	RECESSED STORAGE
5	FLAT MONITOR BRACKET
R: A	SHEET 2 OF 2

EXT284909B3NNNFNND

PROXIMITY

ALL DIMENSIONS ARE IN INCHES
UNLESS NOTED OTHERWISE.
DESIGN SUBJECT TO CHANGE
WITH EQUIPMENT SPECIFICATIONS.
ALL INFORMATION ON THIS
DRAWING IS PROPRIETARY AND
MAY NOT BE USED WITHOUT
PERMISSION FROM PROXIMITY
SYSTEMS, INC. © 2017.