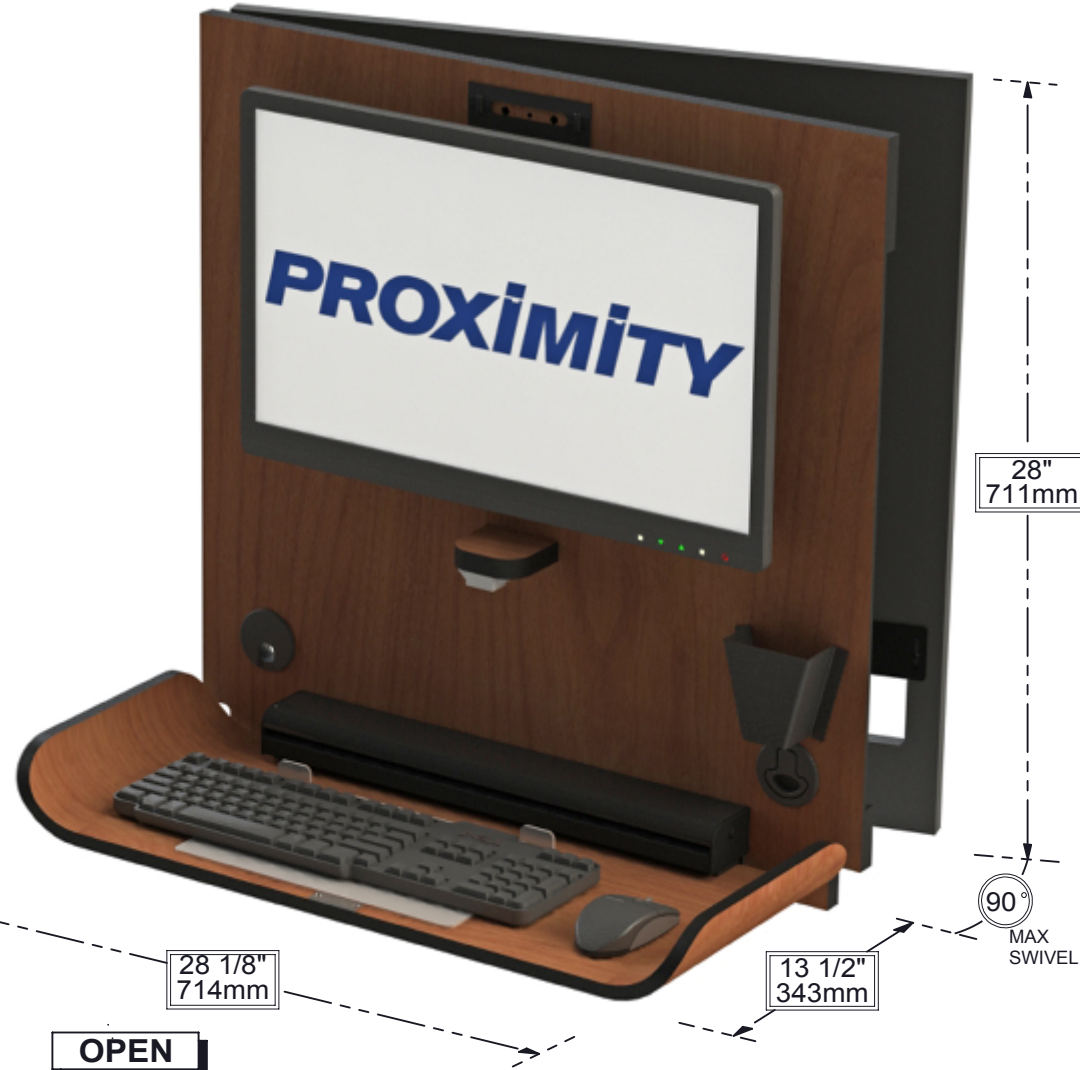



 5 3/8"  
137mm

 28"  
711mm

 28 1/8"  
714mm

 13 1/2"  
343mm

 90°  
MAX  
SWIVEL

**CLOSED**

 \*CPU MOUNT  
NOT INCLUDED

**OPEN**

 WILD CHERRY  
CX1-6022-7054  
SHOWN

**STANDARD PART NUMBERS AND AVAILABLE COLORS\*\***

FROSTY WHITE	FUSION MAPLE	BANNISTER OAK	FONTHILL PEAR	WILD CHERRY	BRIGHTON WALNUT	OTHER COLORS CALL PROXIMITY
CX1-6022-1573	CX1-6022-7909	CX1-6022-7806	CX1-6022-10745	CX1-6022-7054	CX1-6022-7922	CX1-6022-9999

CX1282805B1NFLNND

**SPECIFICATIONS**

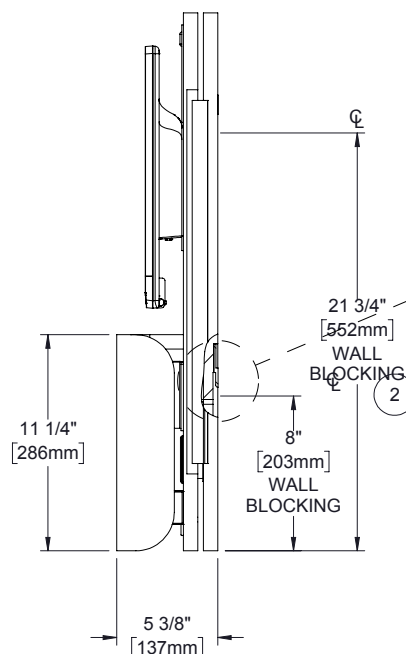
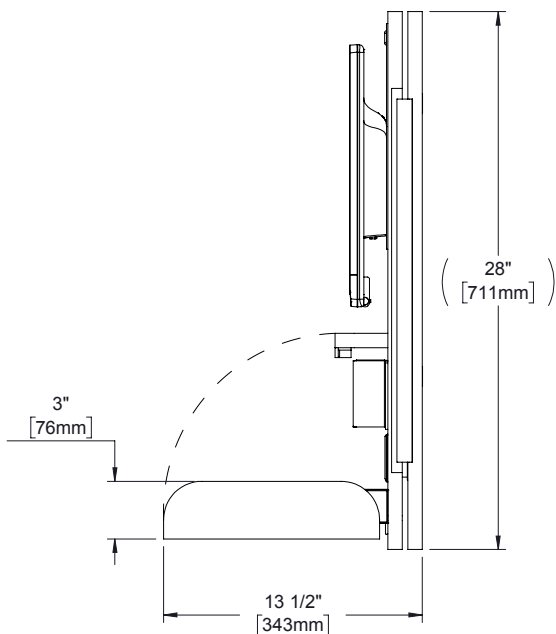
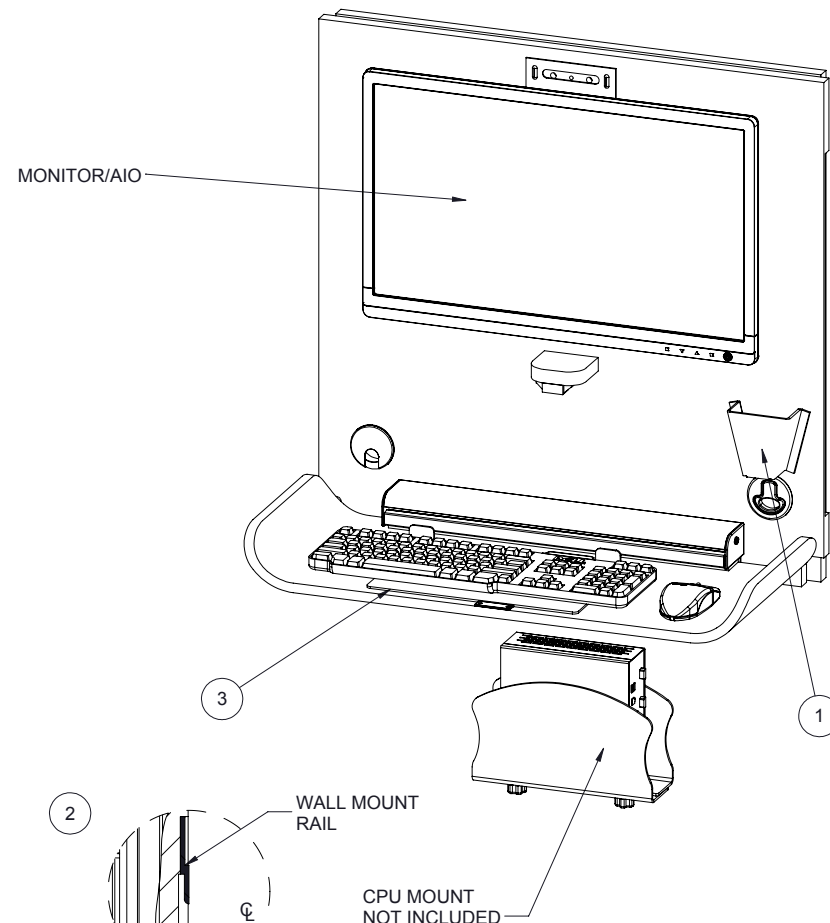
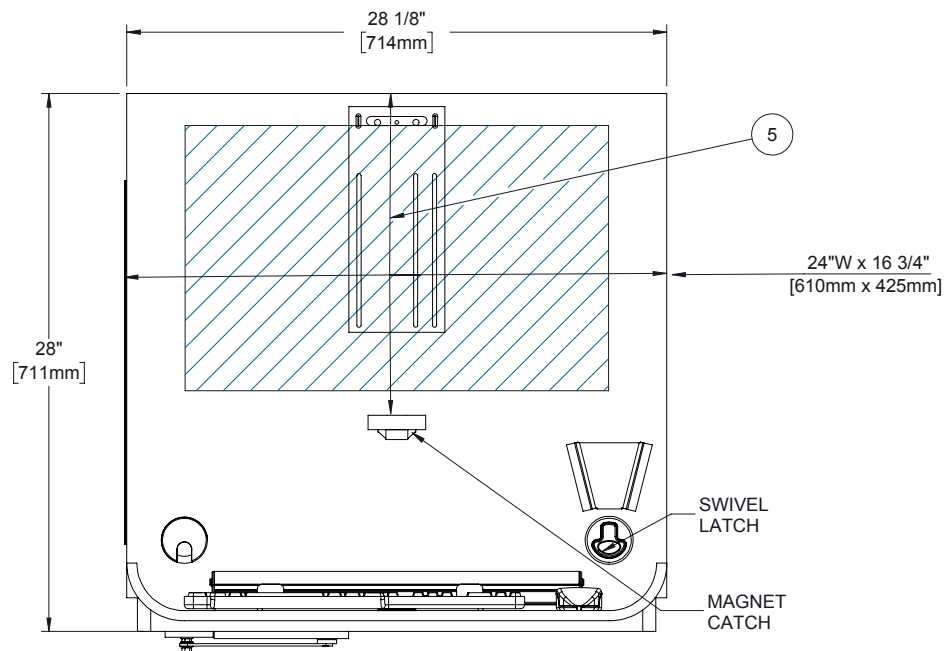
\*ASSUMES VESA HOLE PATTERN IS CENTERED ON MONITOR

EQUIPMENT	MAX SIZE DIMENSIONS
CPU	N/A
*MONITOR	24"W x 15"H x 3"D
KEYBOARD/MOUSE AREA	22"W x 9 1/4"D

ALL DIMENSIONS ARE IN INCHES UNLESS NOTED OTHERWISE. DESIGN SUBJECT TO CHANGE WITH EQUIPMENT SPECIFICATIONS. ALL INFORMATION ON THIS DRAWING IS PROPRIETARY AND MAY NOT BE USED WITHOUT PERMISSION FROM PROXIMITY SYSTEMS, INC. © 2016.

**OPTIONAL ACCESSORIES/PART NO. (NOT INCLUDED)**

1. CX1 MONITOR ARM: AC-CX1-ARM
2. CX1 MONITOR PIVOT: AC-CX1-PIVOT
3. N/A



COMPONENTS INCLUDED	
ITEM NO.	COMPONENTS
1	MOUSE HOLDER
2	WALL MOUNT RAIL SYSTEM
3	KEYBOARD TRAY
4	N/A
5	MONITOR BRACKET MOUNT
R: A	SHEET 2 OF 2

CX1282805B1NFLNND



ALL DIMENSIONS ARE IN INCHES UNLESS NOTED OTHERWISE. DESIGN SUBJECT TO CHANGE WITH EQUIPMENT SPECIFICATIONS. ALL INFORMATION ON THIS DRAWING IS PROPRIETARY AND MAY NOT BE USED WITHOUT PERMISSION FROM PROXIMITY SYSTEMS, INC. © 2016.