



**CLOSED**

7"  
178mm

WILD CHERRY  
GXT-6103-7054  
SHOWN



**OPEN**

15 3/4"  
400mm

18 5/8"  
473mm

32"  
813mm

**STANDARD PART NUMBERS AND AVAILABLE COLORS\*\***

FROSTY WHITE GXT-6103-1573	FUSION MAPLE GXT-6103-7909	BANNISTER OAK GXT-6103-7806	FONTHILL PEAR GXT-6103-10745	WILD CHERRY GXT-6103-7054	BRIGHTON WALNUT GXT-6103-7922	OTHER COLORS CALL PROXIMITY GXT-6103-9999

GXD163207N1NNNNNNN



**SPECIFICATIONS**

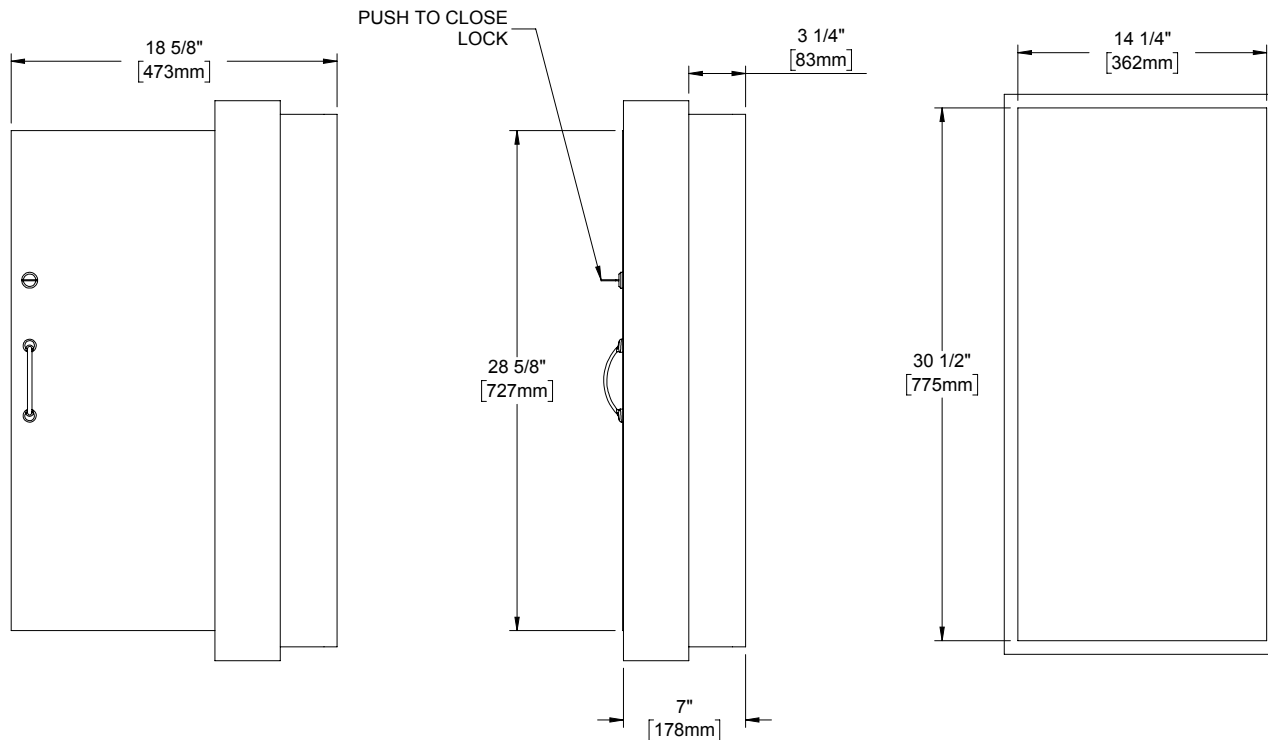
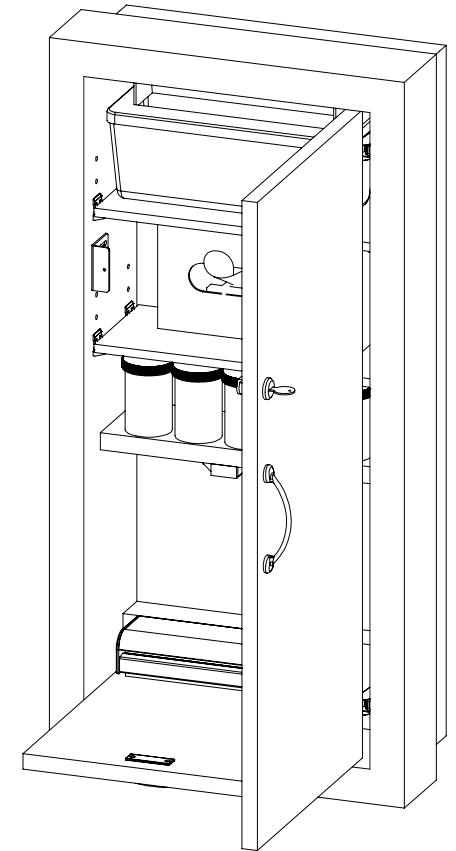
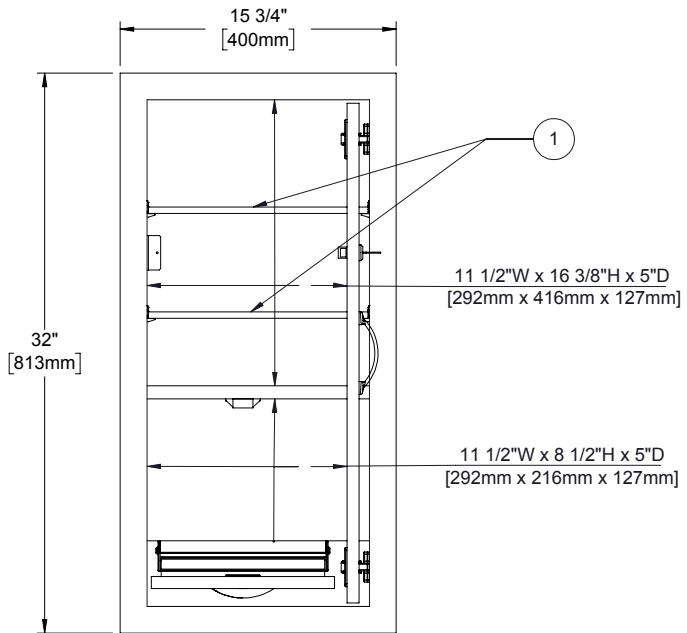
\*ASSUMES VESA HOLE PATTERN IS CENTERED ON MONITOR

EQUIPMENT	MAX SIZE DIMENSIONS
CPU	N/A
*MONITOR	N/A
KEYBOARD/MOUSE AREA	N/A

ALL DIMENSIONS ARE IN INCHES UNLESS NOTED OTHERWISE. DESIGN SUBJECT TO CHANGE WITH EQUIPMENT SPECIFICATIONS. ALL INFORMATION ON THIS DRAWING IS PROPRIETARY AND MAY NOT BE USED WITHOUT PERMISSION FROM PROXIMITY SYSTEMS, INC. © 2016.

**OPTIONAL ACCESSORIES/PART NO. (NOT INCLUDED)**

1.	N/A
2.	N/A
3.	N/A



**COMPONENTS INCLUDED**

ITEM NO.	COMPONENTS
1	2 ADJUSTABLE SHELVES
2	N/A
3	N/A
4	N/A
5	N/A

GXT163207N1NNNNNN



ALL DIMENSIONS ARE IN INCHES UNLESS NOTED OTHERWISE. DESIGN SUBJECT TO CHANGE WITH EQUIPMENT SPECIFICATIONS. ALL INFORMATION ON THIS DRAWING IS PROPRIETARY AND MAY NOT BE USED WITHOUT PERMISSION FROM PROXIMITY SYSTEMS, INC. © 2018.