



**CLOSED**

WILD CHERRY  
GXT-6102-7054  
SHOWN

8"  
203mm



**OPEN**

21 5/8"  
549mm

31 5/8"  
803mm

20 1/8"  
511mm

30"  
762mm

**STANDARD PART NUMBERS AND AVAILABLE COLORS\*\***

FROSTY WHITE	FUSION MAPLE	BANNISTER OAK	FONTHILL PEAR	WILD CHERRY	BRIGHTON WALNUT	OTHER COLORS CALL PROXIMITY
GXT-6102-1573	GXT-6102-7909	GXT-6102-7806	GXT-6102-10745	GXT-6102-7054	GXT-6102-7922	GXT-6102-9999

GXD303208N2NNNNNNN



**SPECIFICATIONS**

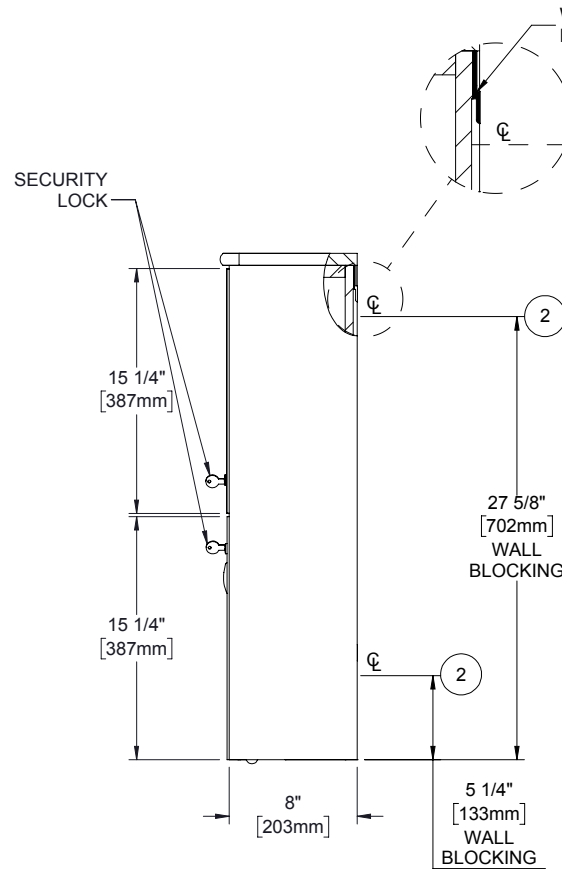
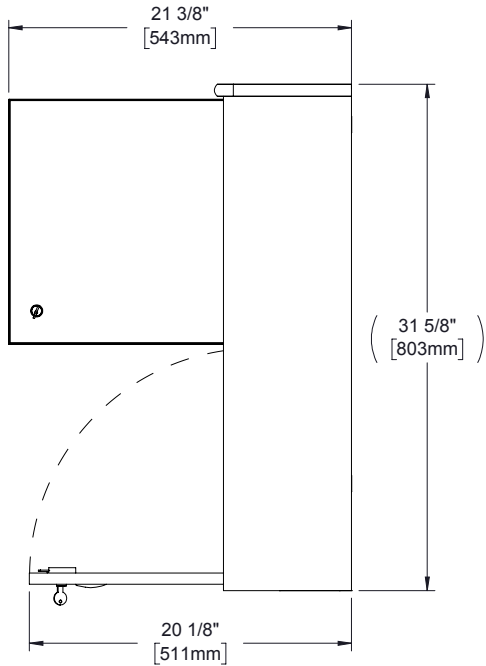
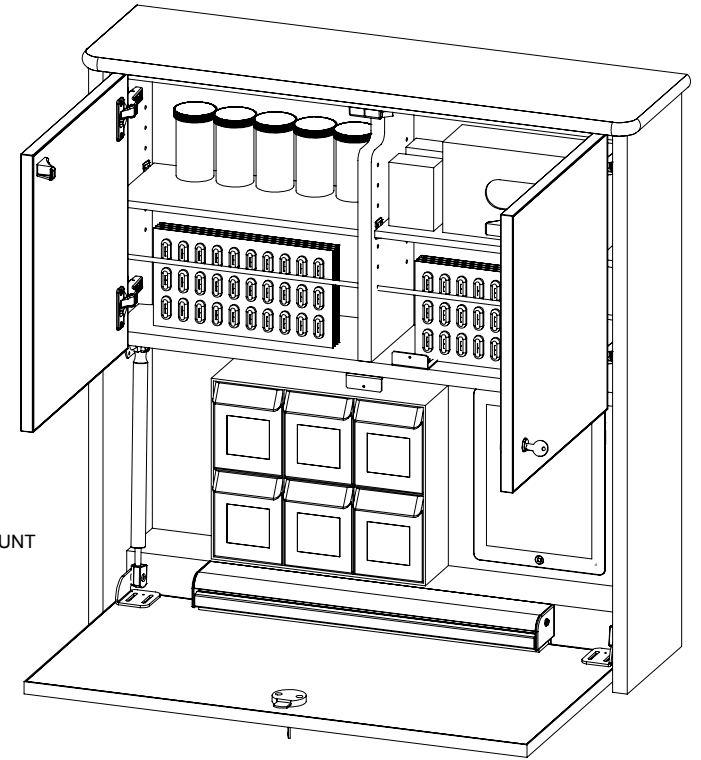
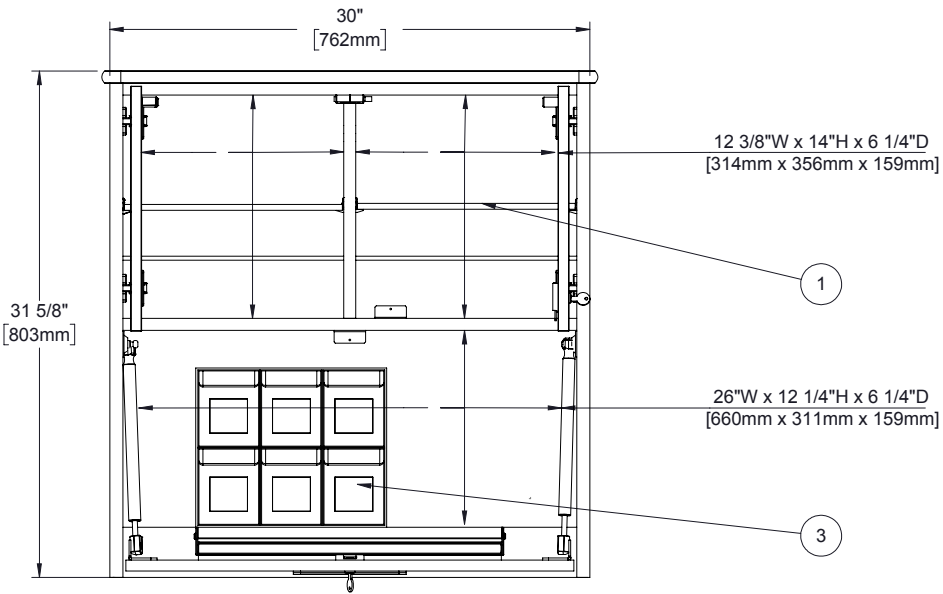
\*ASSUMES VESA HOLE PATTERN IS CENTERED ON MONITOR

EQUIPMENT	MAX SIZE DIMENSIONS
CPU	N/A
*MONITOR	N/A
KEYBOARD/MOUSE AREA	28"W x 13"D

ALL DIMENSIONS ARE IN INCHES UNLESS NOTED OTHERWISE. DESIGN SUBJECT TO CHANGE WITH EQUIPMENT SPECIFICATIONS. ALL INFORMATION ON THIS DRAWING IS PROPRIETARY AND MAY NOT BE USED WITHOUT PERMISSION FROM PROXIMITY SYSTEMS, INC. © 2016.

**OPTIONAL ACCESSORIES/PART NO. (NOT INCLUDED)**

1.	N/A
2.	N/A
3.	N/A
R: A	SPECIFICATION DOCUMENT V2.0 10/04/2016



COMPONENTS INCLUDED	
ITEM NO.	COMPONENTS
1	2 ADJUSTABLE SHELVES
2	WALL MOUNT RAIL SYSTEM
3	TIP OUT BINS
4	N/A
5	N/A

GXT303208N2NNNNNNN



ALL DIMENSIONS ARE IN INCHES UNLESS NOTED OTHERWISE. DESIGN SUBJECT TO CHANGE WITH EQUIPMENT SPECIFICATIONS. ALL INFORMATION ON THIS DRAWING IS PROPRIETARY AND MAY NOT BE USED WITHOUT PERMISSION FROM PROXIMITY SYSTEMS, INC. © 2018.