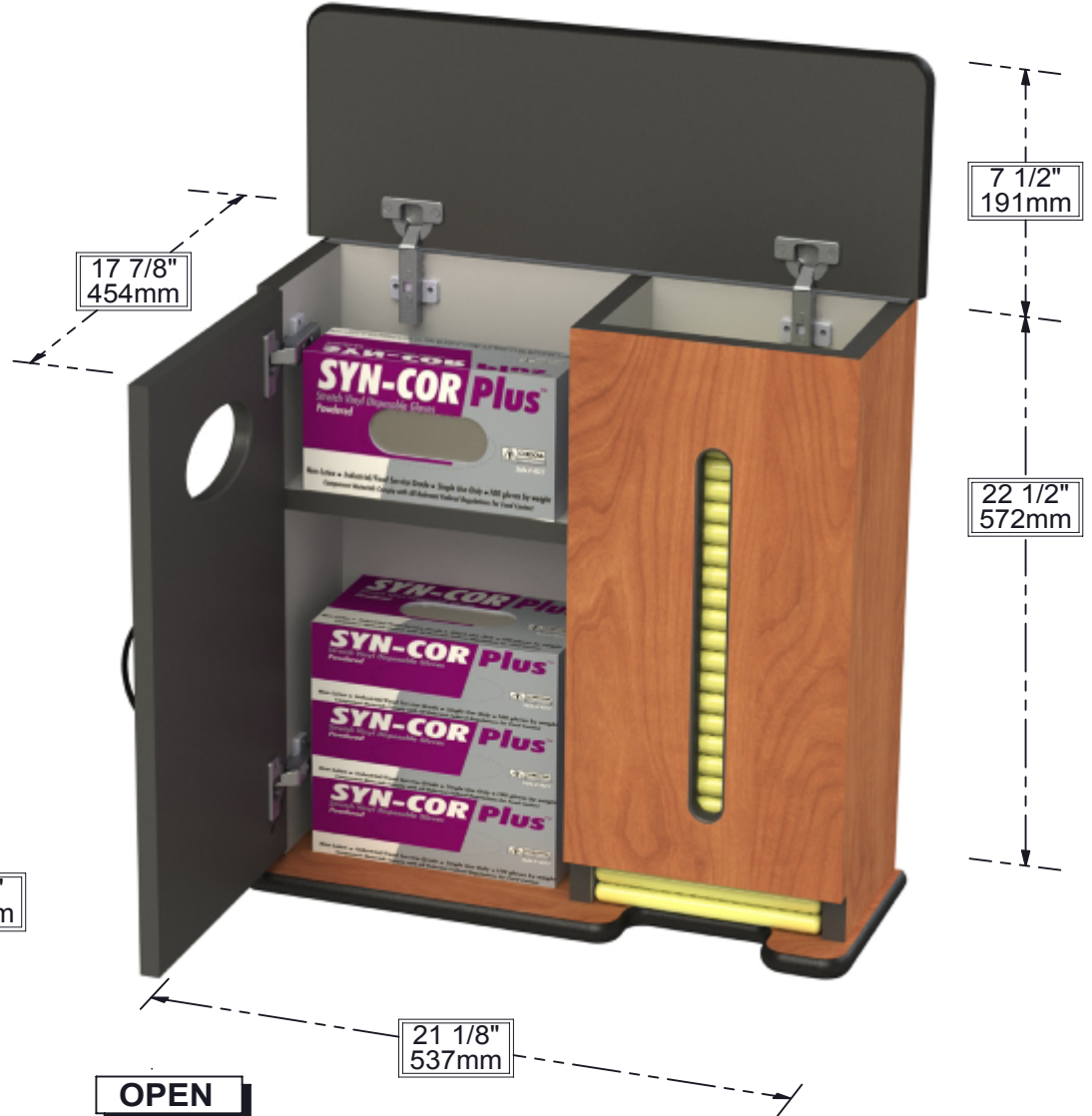




**CLOSED**

WILD CHERRY  
GXT-6101-7054  
SHOWN



**OPEN**

**STANDARD PART NUMBERS AND AVAILABLE COLORS\*\***

FROSTY WHITE GXT-6101-1573	FUSION MAPLE GXT-6101-7909	BANNISTER OAK GXT-6101-7806	FONTHILL PEAR GXT-6101-10745	WILD CHERRY GXT-6101-7054	BRIGHTON WALNUT GXT-6101-7922	OTHER COLORS CALL PROXIMITY GXT-6101-9999

**SPECIFICATIONS**

\*ASSUMES VESA HOLE PATTERN IS CENTERED ON MONITOR

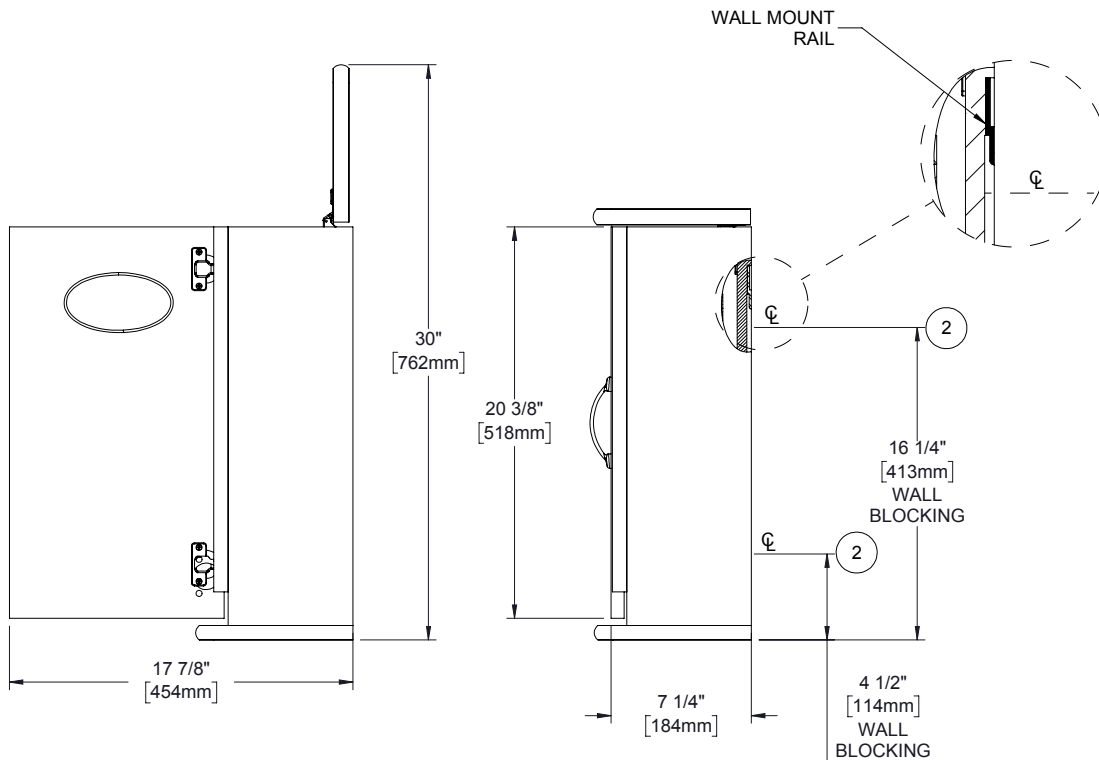
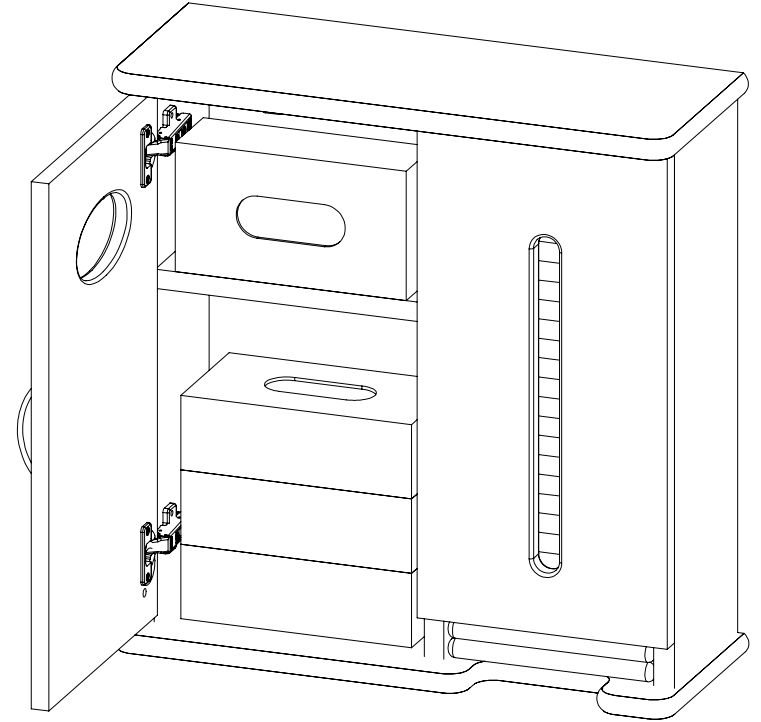
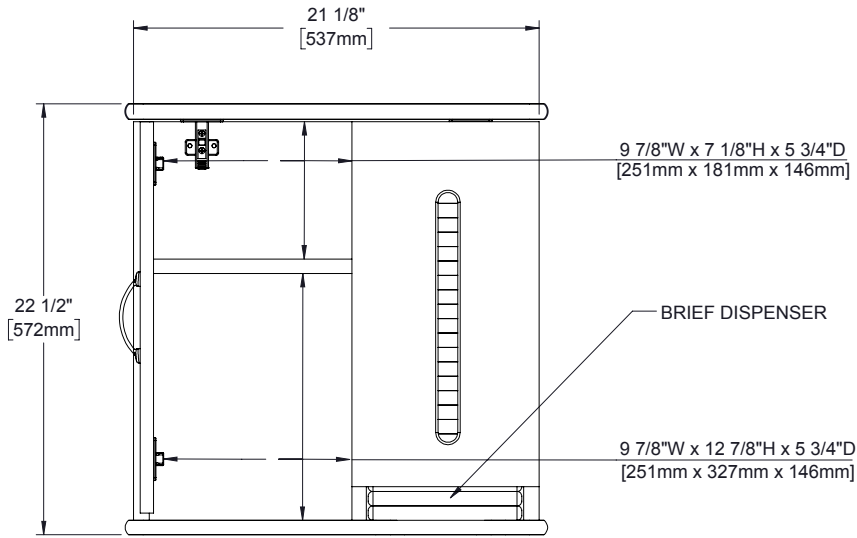
EQUIPMENT	MAX SIZE DIMENSIONS
CPU	N/A
*MONITOR	N/A
KEYBOARD/MOUSE AREA	N/A

ALL DIMENSIONS ARE IN INCHES UNLESS NOTED OTHERWISE. DESIGN SUBJECT TO CHANGE WITH EQUIPMENT SPECIFICATIONS. ALL INFORMATION ON THIS DRAWING IS PROPRIETARY AND MAY NOT BE USED WITHOUT PERMISSION FROM PROXIMITY SYSTEMS, INC. © 2016.

**OPTIONAL ACCESSORIES/PART NO. (NOT INCLUDED)**

1.	N/A
2.	N/A
3.	N/A
R: A	SPECIFICATION DOCUMENT V2.0 10/04/2016

GXT212307N1NNNNNN



COMPONENTS INCLUDED	
ITEM NO.	COMPONENTS
1	N/A
2	WALL MOUNT RAIL SYSTEM
3	N/A
4	N/A
5	N/A

GXT212307N1NNNNNNN



ALL DIMENSIONS ARE IN INCHES UNLESS NOTED OTHERWISE. DESIGN SUBJECT TO CHANGE WITH EQUIPMENT SPECIFICATIONS. ALL INFORMATION ON THIS DRAWING IS PROPRIETARY AND MAY NOT BE USED WITHOUT PERMISSION FROM PROXIMITY SYSTEMS, INC. © 2018.