



CLOSED

WILD CHERRY
GXT-6100-7054
SHOWN



OPEN

STANDARD PART NUMBERS AND AVAILABLE COLORS**

FROSTY WHITE GXT-6100-1573	FUSION MAPLE GXT-6100-7909	BANNISTER OAK GXT-6100-7806	FONTHILL PEAR GXT-6100-10745	WILD CHERRY GXT-6100-7054	BRIGHTON WALNUT GXT-6100-7922	OTHER COLORS CALL PROXIMITY GXT-6100-9999

GXT243207N1NNNNNN



SPECIFICATIONS

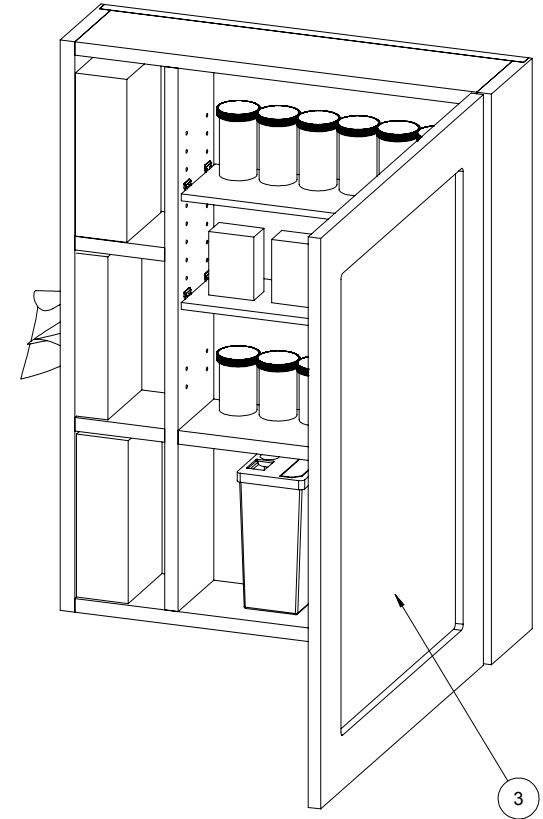
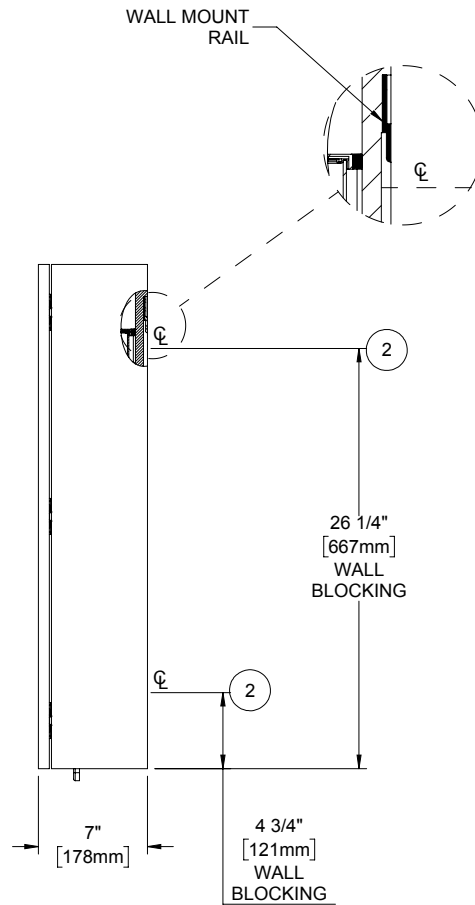
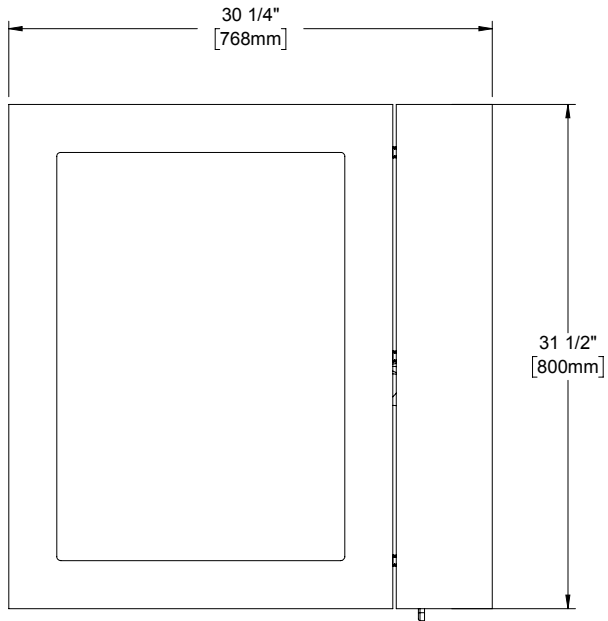
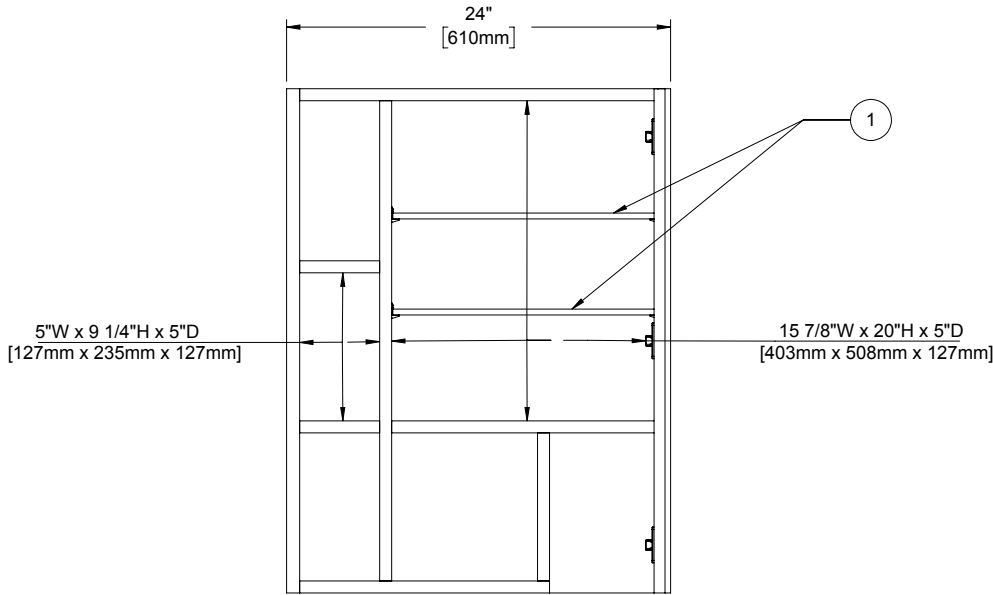
*ASSUMES VESA HOLE PATTERN IS CENTERED ON MONITOR

EQUIPMENT	MAX SIZE DIMENSIONS
CPU	N/A
*MONITOR	N/A
KEYBOARD/MOUSE AREA	N/A

ALL DIMENSIONS ARE IN INCHES UNLESS NOTED OTHERWISE. DESIGN SUBJECT TO CHANGE WITH EQUIPMENT SPECIFICATIONS. ALL INFORMATION ON THIS DRAWING IS PROPRIETARY AND MAY NOT BE USED WITHOUT PERMISSION FROM PROXIMITY SYSTEMS, INC. © 2016.

OPTIONAL ACCESSORIES/PART NO. (NOT INCLUDED)

1.	N/A
2.	N/A
3.	N/A



COMPONENTS INCLUDED	
ITEM NO.	COMPONENTS
1	2 ADJUSTABLE SHELVES
2	WALL MOUNT RAIL SYSTEM
3	MIRROR
4	N/A
5	N/A
R: A	SHEET 2 OF 2

GXT243207N1NNNNNN

PROXIMITY

ALL DIMENSIONS ARE IN INCHES
UNLESS NOTED OTHERWISE.
DESIGN SUBJECT TO CHANGE
WITH EQUIPMENT SPECIFICATIONS.
ALL INFORMATION ON THIS
DRAWING IS PROPRIETARY AND
MAY NOT BE USED WITHOUT
PERMISSION FROM PROXIMITY
SYSTEMS, INC. © 2018.