


CLOSED

 WILD CHERRY
 EXT-6024-7054
 SHOWN

OPEN

 9 1/4"
 235mm

 34 3/4"
 883mm

 36"
 914mm

 28 1/8"
 714mm

 28 7/8"
 733mm

STANDARD PART NUMBERS AND AVAILABLE COLORS**

| | | | | | | |
|----------------------------------|----------------------------------|-----------------------------------|------------------------------------|---------------------------------|-------------------------------------|---|
| FROSTY WHITE EXT-6024-1573 | FUSION MAPLE EXT-6024-7909 | BANNISTER OAK EXT-6024-7806 | FONTHILL PEAR EXT-6024-10745 | WILD CHERRY EXT-6024-7054 | BRIGHTON WALNUT EXT-6024-7922 | OTHER COLORS CALL PROXIMITY EXT-6024-9999 |
| | | | | | | |

EXT283609B2NNNNND


SPECIFICATIONS

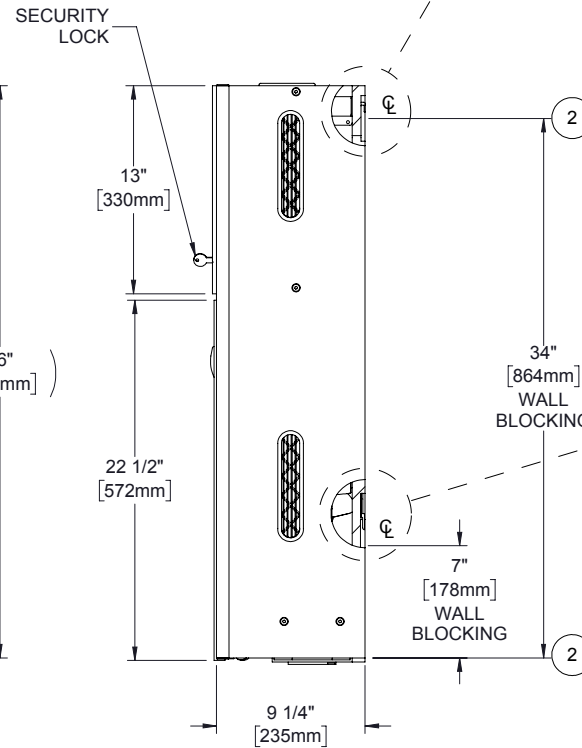
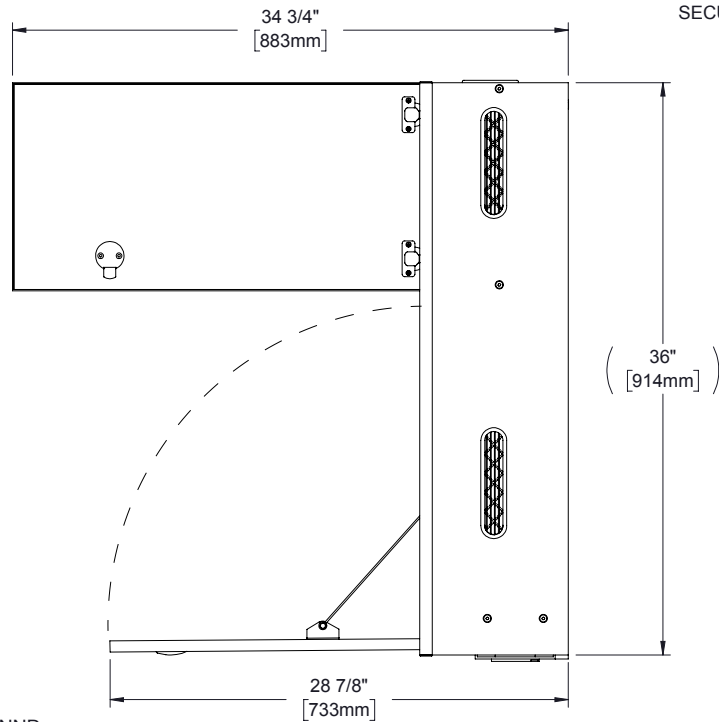
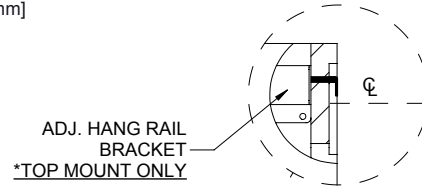
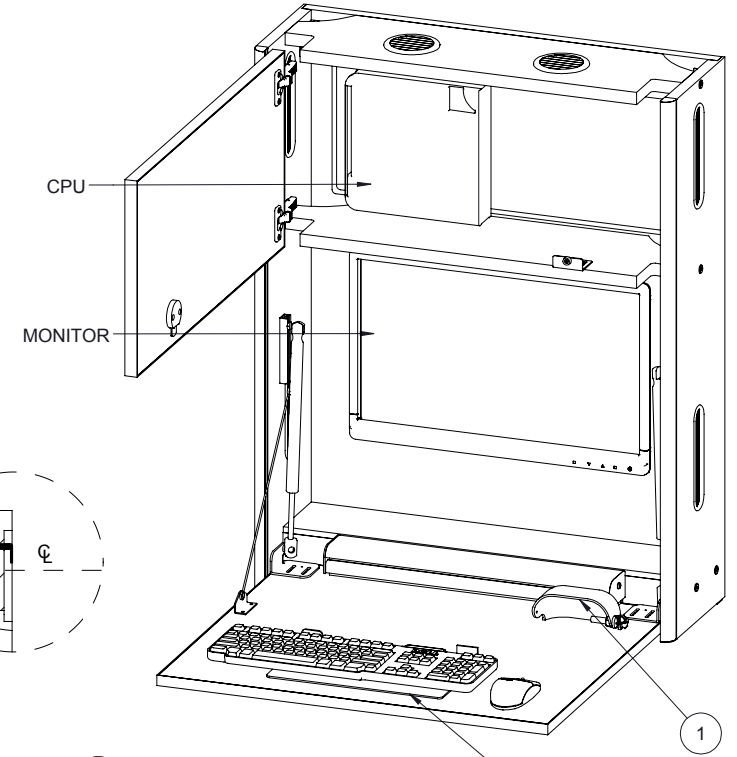
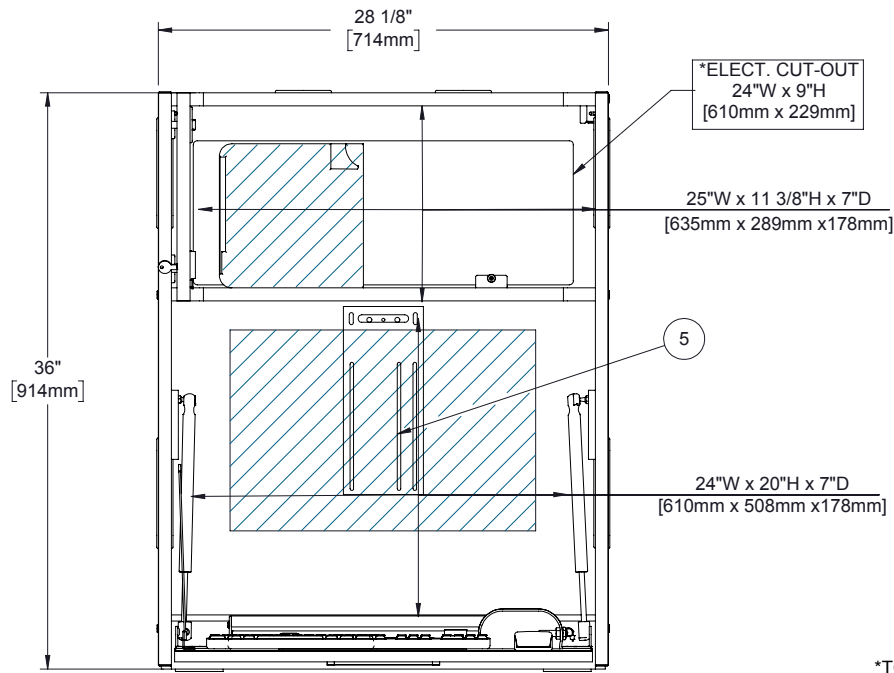
*ASSUMES VESA HOLE PATTERN IS CENTERED ON MONITOR

| EQUIPMENT | MAX SIZE DIMENSIONS |
|---------------------|---------------------|
| CPU | 24"W x 11"H x 7"D |
| *MONITOR | 24"W x 15"H x 3"D |
| KEYBOARD/MOUSE AREA | 26"W x 20"D |

ALL DIMENSIONS ARE IN INCHES UNLESS NOTED OTHERWISE. DESIGN SUBJECT TO CHANGE WITH EQUIPMENT SPECIFICATIONS. ALL INFORMATION ON THIS DRAWING IS PROPRIETARY AND MAY NOT BE USED WITHOUT PERMISSION FROM PROXIMITY SYSTEMS, INC. © 2017.

OPTIONAL ACCESSORIES/PART NO. (NOT INCLUDED)

| | |
|----|-----------------------------|
| 1. | MONITOR ARM: AC-ARM |
| 2. | MONITOR PIVOT: AC-PIVOT |
| 3. | LED LIGHT: AC-LED-LGHT |
| 4. | STORAGE BUCKETS: AC-BUCKETS |



| COMPONENTS INCLUDED | |
|---------------------|------------------------|
| ITEM NO. | COMPONENTS |
| 1 | MOUSE CATCHER |
| 2 | WALL MOUNT RAIL SYSTEM |
| 3 | KEYBOARD TRAY |
| 4 | N/A |
| 5 | FLAT MONITOR BRACKET |
| R: A | SHEET 2 OF 2 |

EXT283609B2NNNNND

PROXIMITY

ALL DIMENSIONS ARE IN INCHES UNLESS NOTED OTHERWISE. DESIGN SUBJECT TO CHANGE WITH EQUIPMENT SPECIFICATIONS. ALL INFORMATION ON THIS DRAWING IS PROPRIETARY AND MAY NOT BE USED WITHOUT PERMISSION FROM PROXIMITY SYSTEMS, INC. © 2017.