


**CLOSED**

 WILD CHERRY  
 EXT-6019-7054  
 SHOWN

**OPEN**
**STANDARD PART NUMBERS AND AVAILABLE COLORS\*\***

FROSTY WHITE EXT-6019-1573	FUSION MAPLE EXT-6019-7909	BANNISTER OAK EXT-6019-7806	FONTHILL PEAR EXT-6019-10745	WILD CHERRY EXT-6019-7054	BRIGHTON WALNUT EXT-6019-7922	OTHER COLORS CALL PROXIMITY EXT-6019-9999

EXT254404B2NFNNND

**SPECIFICATIONS**

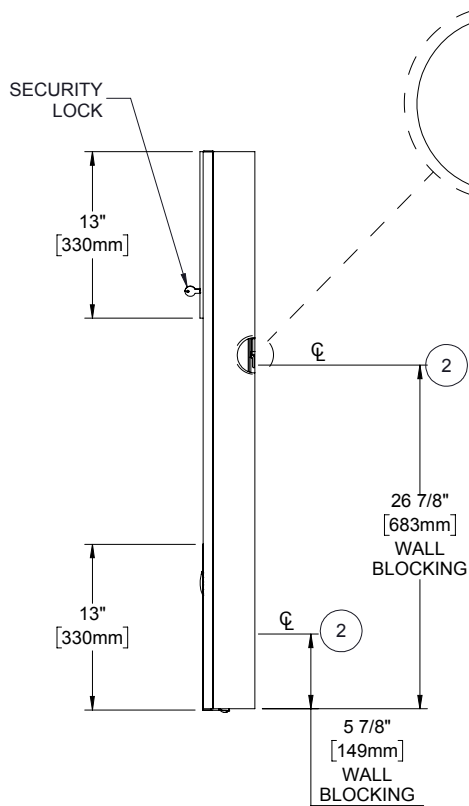
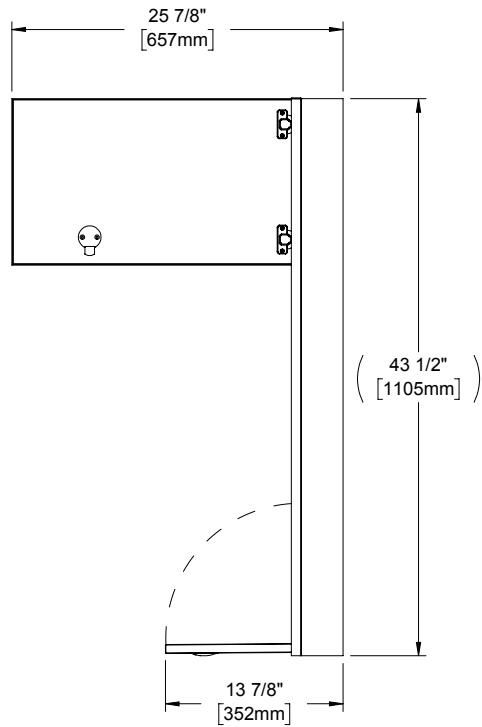
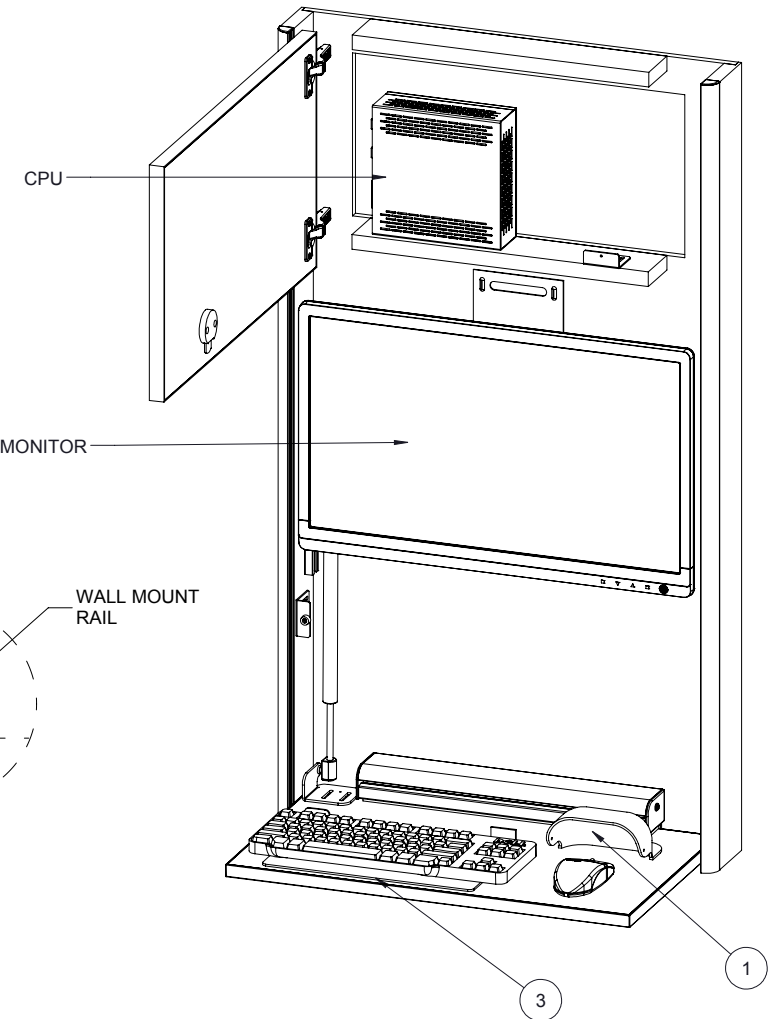
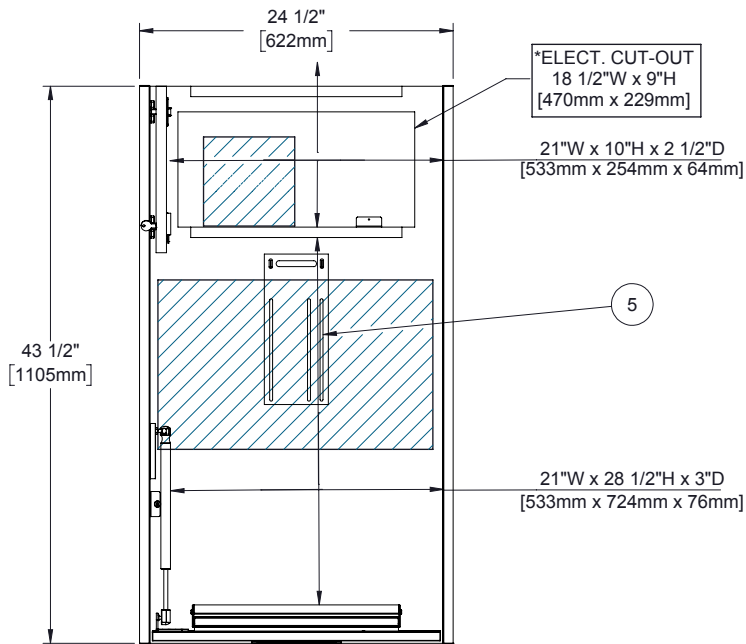
\*ASSUMES VESA HOLE PATTERN IS CENTERED ON MONITOR

EQUIPMENT	MAX SIZE DIMENSIONS
CPU	21"W x 10"H x 2 1/2"D
*MONITOR	21"W x 15"H x 3"D
KEYBOARD/MOUSE AREA	22"W x 10"D

 ALL DIMENSIONS ARE IN INCHES  
 UNLESS NOTED OTHERWISE.  
 DESIGN SUBJECT TO CHANGE  
 WITH EQUIPMENT SPECIFICATIONS.  
 ALL INFORMATION ON THIS  
 DRAWING IS PROPRIETARY AND  
 MAY NOT BE USED WITHOUT  
 PERMISSION FROM PROXIMITY  
 SYSTEMS, INC. © 2017.

**OPTIONAL ACCESSORIES/PART NO. (NOT INCLUDED)**

1. N/A
2. N/A
3. N/A



COMPONENTS INCLUDED	
ITEM NO.	COMPONENTS
1	MOUSE CATCHER
2	WALL MOUNT RAIL SYSTEM
3	KEYBOARD TRAY
4	N/A
5	MONITOR BRACKET MOUNT
R: A	SHEET 2 OF 2

EXT254404B2NFNNND



ALL DIMENSIONS ARE IN INCHES UNLESS NOTED OTHERWISE. DESIGN SUBJECT TO CHANGE WITH EQUIPMENT SPECIFICATIONS. ALL INFORMATION ON THIS DRAWING IS PROPRIETARY AND MAY NOT BE USED WITHOUT PERMISSION FROM PROXIMITY SYSTEMS, INC. © 2017.