



CLOSED



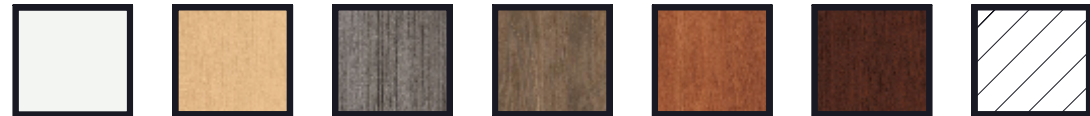
OPEN

WILD CHERRY
CXT-6037-7054
SHOWN

STANDARD PART NUMBERS AND AVAILABLE COLORS**

#60 FINISH STANDARD

FROSTY WHITE CXT-6037-1573	FUSION MAPLE CXT-6037-7909	PORTICO TEAK CXT-6037-8210	RUSSET ALONA CXT-6037-Y0291	WILD CHERRY CXT-6037-7054	BRIGHTON WALNUT CXT-6037-7922	OTHER COLORS CALL PROXIMITY CXT-6037-9999
-------------------------------	-------------------------------	-------------------------------	--------------------------------	------------------------------	----------------------------------	--



OPTIONAL ACCESSORIES/PART NO. (NOT INCLUDED)

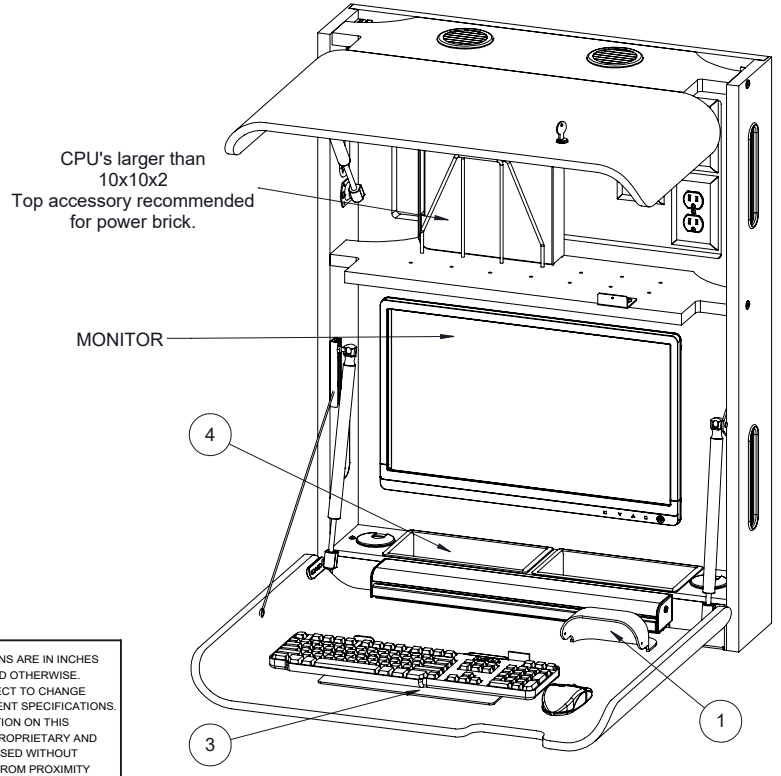
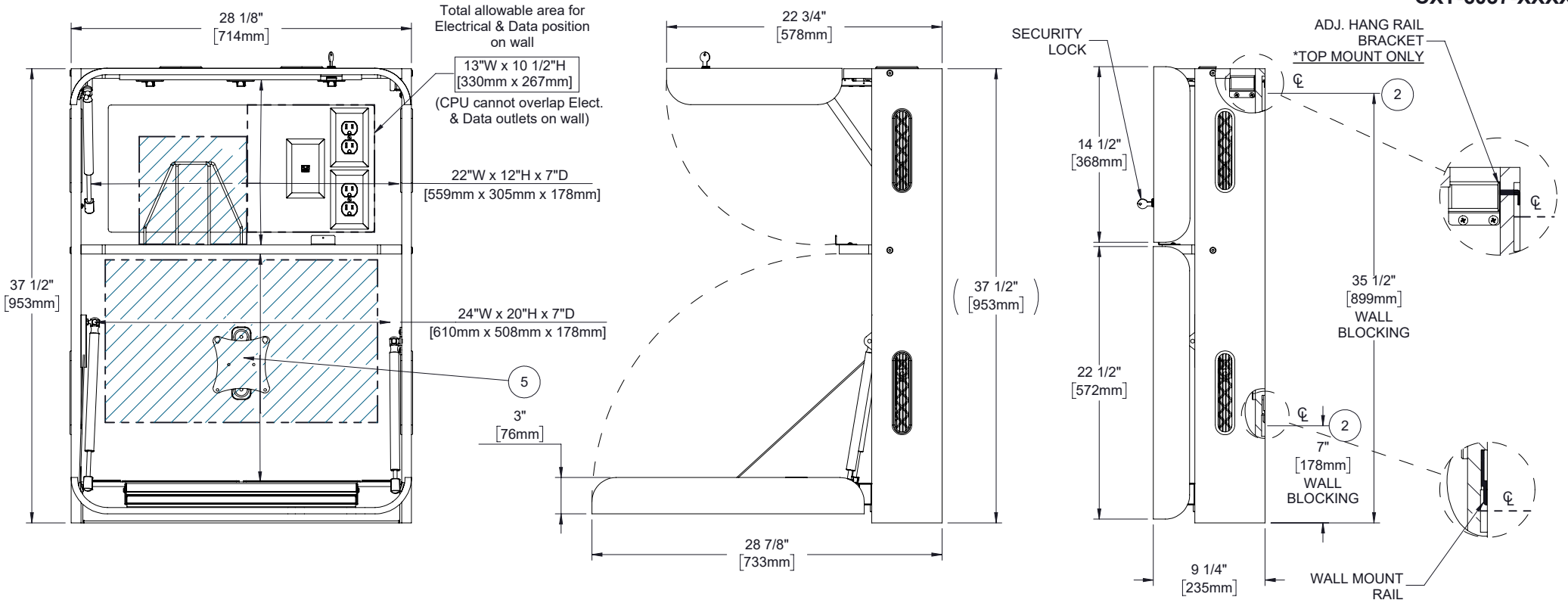
1. SLOPED CABINET TOP: AC-CTOP-9-XXXX
2. COVER FOR RECESSED STORAGE: AC-CNTR-CVR
3. LED LIGHT: AC-LED-LIGHT
4. MONITOR ARM: AC-ARM
5. UVC SURFACE MOUNT: UVC-SM-NA

SPECIFICATIONS

*ASSUMES VESA HOLE PATTERN IS CENTERED ON MONITOR

EQUIPMENT	MAX SIZE DIMENSIONS
CPU	15"W x 12"H x 7"D
*MONITOR	24"W x 15"H x 3"D
KEYBOARD/MOUSE AREA	22"W x 20"D

ALL DIMENSIONS ARE IN INCHES UNLESS NOTED OTHERWISE. DESIGN SUBJECT TO CHANGE WITH EQUIPMENT SPECIFICATIONS. ALL INFORMATION ON THIS DRAWING IS PROPRIETARY AND MAY NOT BE USED WITHOUT PERMISSION FROM PROXIMITY SYSTEMS, INC. © 2020.



COMPONENTS INCLUDED	
ITEM NO.	COMPONENTS
1	MOUSE CATCHER
2	WALL MOUNT RAIL SYSTEM
3	KEYBOARD TRAY
4	RECESSED STORAGE
5	MONITOR TILT MOUNT
R: A	SHEET 2 OF 2

CXT283809T2NNNNNND



ALL DIMENSIONS ARE IN INCHES UNLESS NOTED OTHERWISE. DESIGN SUBJECT TO CHANGE WITH EQUIPMENT SPECIFICATIONS. ALL INFORMATION ON THIS DRAWING IS PROPRIETARY AND MAY NOT BE USED WITHOUT PERMISSION FROM PROXIMITY SYSTEMS, INC. © 2020.