



CLOSED

WILD CHERRY
CXT-6003-7054
SHOWN



OPEN

9 1/4"
235mm

21 3/8"
543mm

36"
914mm

28 7/8"
733mm

28 1/8"
714mm

STANDARD PART NUMBERS AND AVAILABLE COLORS**

FROSTY WHITE CXT-6003-1573	FUSION MAPLE CXT-6003-7909	BANNISTER OAK CXT-6003-7806	FONTHILL PEAR CXT-6003-10745	WILD CHERRY CXT-6003-7054	BRIGHTON WALNUT CXT-6003-7922	OTHER COLORS CALL PROXIMITY CXT-6003-9999

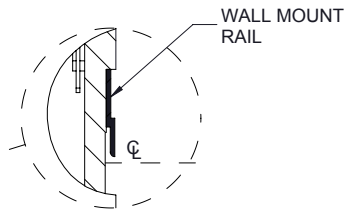
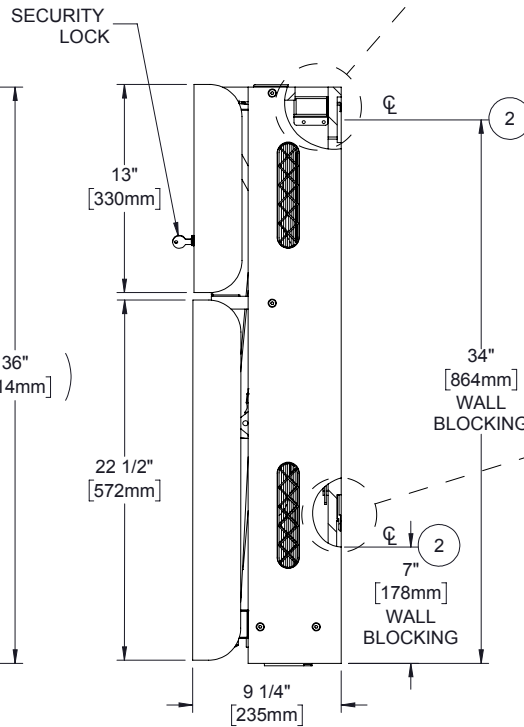
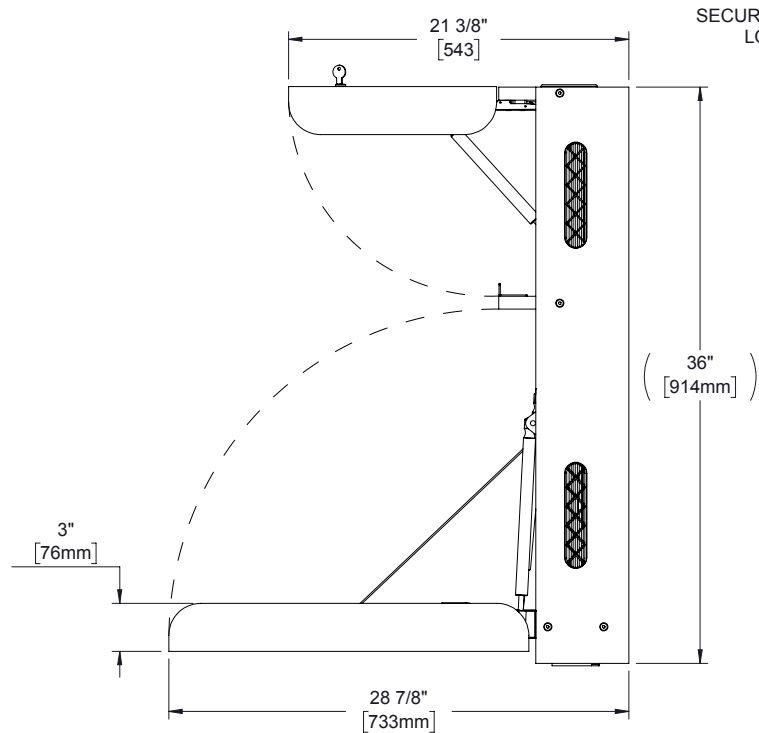
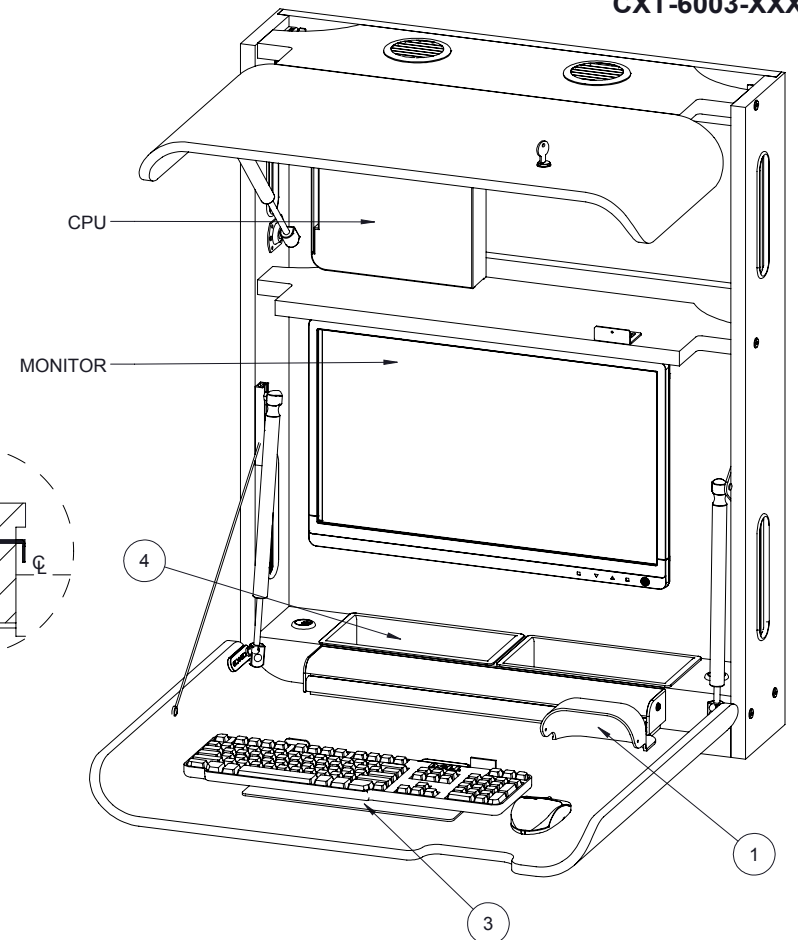
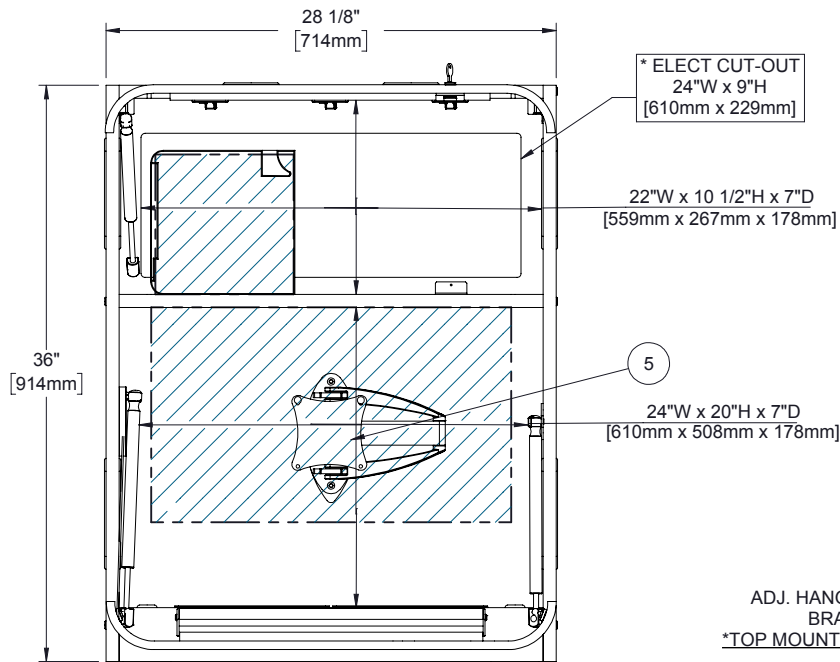
CXT283609A2NNNNNND

WWW.PROXIMITYSYSTEMS.COM TEL: 800-437-8111

SPECIFICATIONS	
*ASSUMES VESA HOLE PATTERN IS CENTERED ON MONITOR	
EQUIPMENT	MAX SIZE DIMENSIONS
CPU	22"W x 10 1/2"H x 7"D
*MONITOR	24"W x 15"H x 3"D
KEYBOARD/MOUSE AREA	22"W x 20"D

ALL DIMENSIONS ARE IN INCHES UNLESS NOTED OTHERWISE. DESIGN SUBJECT TO CHANGE WITH EQUIPMENT SPECIFICATIONS. ALL INFORMATION ON THIS DRAWING IS PROPRIETARY AND MAY NOT BE USED WITHOUT PERMISSION FROM PROXIMITY SYSTEMS, INC. © 2016.

OPTIONAL ACCESSORIES/PART NO. (NOT INCLUDED)	
1.	SLOPPED CABINET TOP: AC-CTOP-9-XXXX
2.	COVER FOR RECESSED STORAGE: AC-CNTR-CVR
3.	LED LIGHT: AC-LED-LGHT
R: A	SPECIFICATION DR DOCUMENT V2.1 10/13/2016



ADJ. HANG RAIL BRACKET
*TOP MOUNT ONLY

COMPONENTS INCLUDED

ITEM NO.	COMPONENTS
1	MOUSE CATCHER
2	WALL MOUNT RAIL SYSTEM
3	KEYBOARD TRAY
4	RECESSED STORAGE
5	MONITOR ARM MOUNT

CXT283609A2NNNNND

PROXIMITY

ALL DIMENSIONS ARE IN INCHES
UNLESS NOTED OTHERWISE.
DESIGN SUBJECT TO CHANGE
WITH EQUIPMENT SPECIFICATIONS.
ALL INFORMATION ON THIS
DRAWING IS PROPRIETARY AND
MAY NOT BE USED WITHOUT
PERMISSION FROM PROXIMITY
SYSTEMS, INC. © 2016.